

**Serie | 2, Electric hob, 60 cm,
NCT615C01**



The 60cm hob: offers you four sturdy and powerful cast-iron cooking plates.

- Side control dials for easy power level selection.

Technical Data

Product name/family :	Cooking zone sealed hotplates
Construction type :	Built-in
Energy input :	Electric
Total number of positions that can be used at the same time :	4
Required niche size for installation (HxWxD) :	45 x 560-560 x 490-490
Width of the product (mm) :	580
Dimensions of the product (mm) :	45 x 580 x 510
Dimensions of the packed product (HxWxD) (mm) :	115 x 650 x 580
Net weight (kg) :	10.949
Gross weight (kg) :	12.0
Residual heat indicator :	without
Location of control panel :	right
Basic surface material :	Stainless steel
Color of surface :	Stainless steel
Approval certificates :	AENOR, CE
Length of electrical supply cord (cm) :	100
EAN code :	4242002319247
Electrical connection rating (W) :	7000
Current (A) :	25
Voltage (V) :	230
Frequency (Hz) :	50



4 242002 319247

**Serie | 2, Electric hob, 60 cm,
NCT615C01**

**The 60cm hob: offers you four sturdy and
powerful cast-iron cooking plates.**

Design

- 580 mm
- Side controls
- Standard control dials

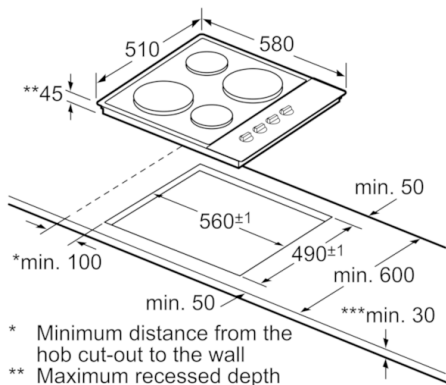
Features

- Variable 9-stage power settings for each zone

Performance/technical information

- 4 super fast sealed cooking plates

**Serie | 2, Electric hob, 60 cm,
NCT615C01**



- * Minimum distance from the hob cut-out to the wall
- ** Maximum recessed depth
- *** With fitted oven underneath, possibly more; see space requirements for the oven measurements in mm