

**Serie | 6, Built-under double oven,
Stainless steel
NBA5350S0B**



A

The built-in double compact oven with 3D hot air: achieve perfect baking and roasting results on multiple levels simultaneously.

- **3D Hotair:** even heat distribution for perfect results on up to three levels.
- **White LCD display control :** easy-to-use thanks to direct access to additional functions.
- **Pop-out controls:** Make the front of the oven easy to clean and give it a sleek look.
- **EcoClean Direct:** almost no cleaning thanks to a special coating which covers interior walls and roof of the upper oven, the rear wall of the second oven

Technical Data

Color / Material Front : Stainless steel
 Construction type : Built-in
 Integrated Cleaning system : No
 Dimensions : 717 x 594 x 550 mm
 Dimensions of the packed product (HxWxD) : 790 x 690 x 660 mm
 Control Panel Material : Stainless steel
 Door Material : Glass
 Net weight : 47.291 kg
 Usable volume of cavity : 47 l
 Cooking method : Conventional heat, Full width grill, Hot Air, Hotair gentle, Hot air grilling
 Oven control : mechanical
 Number of interior lights : 1
 Approval certificates : CE, VDE
 EAN code : 4242005034581
 Energy efficiency rating : A
 Energy consumption per cycle conventional (2010/30/EC) : 0.84 kWh/cycle
 Energy consumption per cycle forced air convection (2010/30/EC) : 0.71 kWh/cycle
 Energy efficiency class (2010/30/EC) - cavity 2 : B
 Energy consumption per cycle conventional - cavity 2 (2010/30/EC) : 0.83 kWh/cycle
 Energy efficiency index (2010/30/EC) : 94.7 %
 Energy efficiency index cavity 2 (2010/30/EC) : 120.3 %
 Connection rating : 5300 W
 Fuse protection : 25 A
 Voltage : 220-240 V
 Frequency : 50 Hz
 Plug type : fixed connection, no plug

Optional accessories

- HEZ531000 : Baking tray, grey enamelled
- HEZ531010 : Baking tray, non-stick ceramic coated
- HEZ538000 : 1fold telescopic rail, level independent
- HEZ634000 : Baking and roasting grid (standard)
- HEZ915003 : Glass roasting dish, 5,4 L



Serie | 6, Built-under double oven, Stainless steel NBA5350S0B

The built-in double compact oven with 3D hot air: achieve perfect baking and roasting results on multiple levels simultaneously.

Design

- LCD-display control (white)
- Rotary dial, Retractable control dials, round
- Straight bar handle
- Interior halogen light

Features

- Control panel lock
Residual heat indicator
- Automatic start
Heating-up indicator
- Electronic clock timer

Top oven additional features

- Cavity volume: 34 litre capacity
- EcoClean Direct :ceiling, back panel, side liners
- Full glass inner door
- Cavity (inner surface) top: Enamel grey
- Door hinge small cavity: Drop down oven door

Main oven additional features

- Cavity volume: 47 litre capacity
- EcoClean Direct : back panel
- Full glass inner door
- Door hinge big cavity: Drop down door
- 3 shelf positions
- Integral cooling fan

Top oven

- Oven with 4 heating methods: conventional top/bottom heat, Large-area grill, Small area grill, bottom heat
- Temperature range 50 °C - 275 °C

Main oven

- Oven with 5 heating methods: 3D Hotair, conventional top and bottom heat, Hotair grilling, full width variable grill, Hotair gentle
- Temperature range 50 °C - 275 °C
- Fast pre-heating function

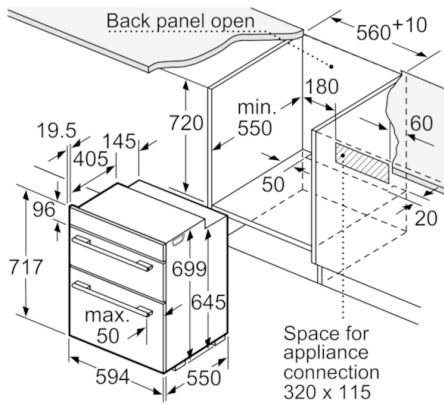
Accessories

- 2 x combination grid, 1 x universal pan
- 1 set of level independent telescopic rails, Stop function

Performance/technical information

- Energy efficiency rating (acc. EU Nr. 65/2014): B (at a range of energy efficiency classes from A+++ to D)
Energy consumption per cycle in conventional mode: 0.83 kWh
Number of cavities: Top Cavity
Heat source: electrical
- Energy efficiency rating (acc. EU Nr. 65/2014): B (at a range of energy efficiency classes from A+++ to D)
Energy consumption per cycle in conventional mode: 0.83 kWh
Energy consumption per cycle in fan-forced convection mode: 0.71 kWh
Number of cavities: Main Cavity
Heat source: electrical
- Total connected load electric: 5.3 KW
- Nominal voltage: 220 - 240 V
- Appliance dimension (hxwxh): 717 mm x 594 mm x 550 mm
- Niche dimension (hxwxh): 720 mm - 720 mm x 560 mm - 568 mm x 550 mm
- Please refer to the dimensions provided in the installation manual

Serie | 6, Built-under double oven, Stainless steel
NBA5350S0B



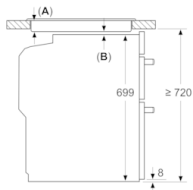
measurements in mm

measurements in mm

If the appliance will be installed underneath a hob, the following worktop thicknesses (including substructure if necessary) must be taken into account.

Hob type	min. worktop thickness	
	fitted	flush
Induction hob	39	40
Full-surface induction hob	49	50
Gas hob	29	40
Electric hob	29	32

measurements in mm
 Installation with a hob



- A: Recessed depth 29-50 mm. See hob dimensional drawing.
- B: Min. distance:
 Induction hob: 5 mm
 Gas hob: 5 mm
 Electric hob: 2 mm

measurements in mm

