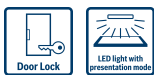


Series 6, Wine cooler with glass door KWK16ABGAG



Your personal wine cellar: wine cabinet 81.8 cm high, 60 cm width with 2 precise temperature zone(s) with adjustable temperature between 5-20 °C and a triple glazed door.

- **Capacity:** The spacious wine cabinet offers space for up to 44 bottles at perfect drinking temperature.
- **Reversible hinge:** move the door of your triple glazed wine cabinet to the side you prefer.
- **Dual Temperature Zones:** store your red and white wines in one place, at 5–20°C.
- **Door Lock:** rest assured that your white and red wines are stored safely.
- **LED light with presentation mode:** attractive illumination for your wine cabinet.

Technical Data

Energy Efficiency Class:G
 Average annual energy consumption in kilowatt hour per year (kWh/a): 150 kWh/annum
 Capacity of 75 cl bottles: 44
 Airborne acoustical noise emissions :38 dB(A) re 1 pW
 Airborne acoustical noise emission class:C
 Installation type:Freestanding
 Door panel options: Not possible
 Height: 818 mm
 Width of the appliance: 600 mm
 Depth of the product: 593 mm
 Net weight:44.2 kg
 Connection rating: 60 W
 Fuse protection:6 A
 Interior ventilator: Yes
 Voltage: 220-240 V
 Frequency: 50-60 Hz
 Length of electrical supply cord: 230.0 cm
 Plug type: GB plug
 Number of compressors: 2
 Number of independent cooling systems: 1
 Reversible Door Hinge: Yes
 Interior light switch: No
 EAN code: 4242005225545
 Brand: Bosch
 Product name / Commercial code: KWK16ABGAG



Series 6, Wine cooler with glass door KWK16ABGAG

**Your personal wine cellar: wine cabinet
81.8 cm high, 60 cm width with 2 precise
temperature zone(s) with adjustable
temperature between 5-20 °C and a triple
glazed door.**

- Wine storage cabinet, Freestanding appliance

Functions

- Free-standing-refrigerator tabletop (<=
- Glass
- Triple glazed door, UV-filter

Design features

- Illumination fridge: LED with Soft Start
- Illumination on/off: Yes
- Presenter Lighting: Yes
- Optical and accoustical
- Child lock
- Interior ventilator

Design features

- Number of Temparture Zones: 2
- Temperature range: 5-20 °C
- 5 PC bottle shelves for 0,75 l
- No.wooden grills in fridge: 3 PC
- Lockable appliance: Yes
- Right hinged door, door reversible

Dimension and installation

- Door aperture angle 115°
- Variable plinth adaption
- Ventilation in plinth, the plinth size can be varied
- Dimensions: 81.8 cm H x 60 cm W x 59.3 cm D

Country Specific Options

- Based on the results of the standard 24-hour test. Actual consumption depends on usage/position of the appliance.
- This appliance is intendend to be used exclusively for the storage of wine

Design features

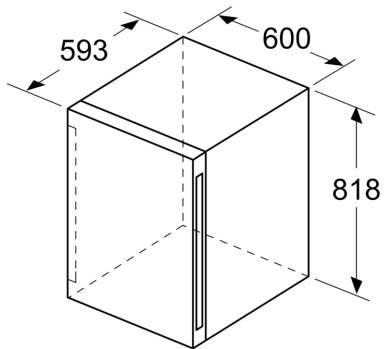
- Construction type: Freestanding appliance

Performance and Consumption

- EU19_EEK_D: G
- Total Volume : 120 l
- Net Fridge Volume : 120 l
- Annual Energy Consumption: 150 kWh/a
- Climate Class: SN-ST
- Noise Level : 38 dB , EU19_Noise emission class_D: C

Series 6, Wine cooler with glass door KWK16ABGAG

measurements in mm



measurements in mm

