

**Serie | 6, Built-under fridge with
freezer section, 82 x 60 cm
KUL15A60GB**

A++



Included accessories

- 1 x egg tray
- 1 x ice cube tray

**The refrigerator with MultiBox: extra
compartment for your fruits and vegetables**

- LED lights bring a completely new lighting concept to fridges
- An audible alarm system signals the door is open
- The egg rack keeps your eggs safe

Technical Data

Construction type : Built-in
Door panel options : Possible but accessory
Height : 820 mm
Width of the appliance : 598 mm
Depth of the product : 548 mm
Required niche size for installation (HxWxD) : 820 x 600 x 550 mm
Net weight : 33.832 kg
Connection rating : 90 W
Fuse protection : 13 A
Door hinge : Right reversible
Voltage : 220-240 V
Frequency : 50 Hz
Approval certificates : CE, G-Mark, VDE
Length of electrical supply cord : 230 cm
Storage Period in Event of Power Failure (h) : 10 h
Number of compressors : 1
Number of independent cooling systems : 1
Interior ventilator : No
Reversible Door Hinge : Yes
Number of Adjustable Shelves in fridge compartment (Stck) : 1
Shelves for Bottles : No
EAN code : 4242002644301
Brand : Bosch
Product name / Commercial code : KUL15A60GB
Product category : Refrigerator
Energy consumption annual - NEW (2010/30/EC) : 140.00 kWh/
annum
Refrigerator Net capacity - NEW (2010/30/EC) : 108 l
Freezer Net capacity - NEW (2010/30/EC) : 15 l
Frost free system : No
Freezing capacity) - NEW (2010/30/EC) : 2 kg/24h
Noise level : 38 dB(A) re 1 pW
Climate class : SN-ST
Installation type : Built-under



4 242002 644301

Serie | 6, Built-under fridge with freezer section, 82 x 60 cm KUL15A60GB

The refrigerator with MultiBox: extra compartment for your fruits and vegetables

Performance and Consumption

- Energy Efficiency Class: A++
- Energy Efficiency Class: A++ kWh/yr: 0.381 kWh
- Total net capacity: 123 l litres
- Net fridge capacity: 108 litres
- Net freezer capacity: 15 litres
- Noise level dB(A) re 1 pW: 38

Design features

- Right hinged door, door reversible
- Fixed hinge
- Mechanical control
- Bright interior LED fridge light
- Removable magnetic door seals - easy to clean
- 1 compressor

Food freshness system

- 2 MultiBox drawers

Key features - Fridge section

- 2 removable safety glass shelves
- 2 safety glass shelves in fridge compartment of which 1 are height adjustable
- 1 removable door storage compartments.
- Automatic defrost fridge

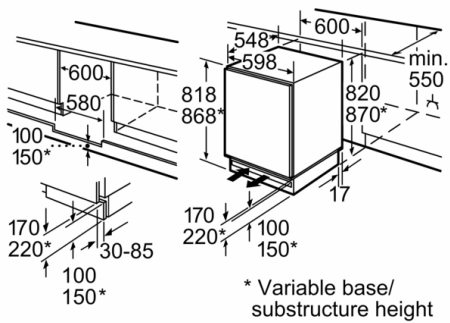
Key features - Freezer section

- 1 hinged freezer compartment
- Ice box
- Maximum freezer storage time in power failure: 10 hours
- Freezing capacity in 24 hours: 2 kg

Dimension and installation

- Ventilation in plinth, the plinth size can be varied
- Climate class SN-ST (suitable for ambient temperatures between 10 to 38°C)
- Connection value 90 W
- Dimensions: 82 cm H x 59.8 cm W x 54.8 cm D
- Niche Dimensions: 82 cm H x 60 cm W x 55 cm D

**Serie | 6, Built-under fridge with freezer
section, 82 x 60 cm
KUL15A60GB**



Space for electrical connection next to the
appliance on the left or right-hand side.
Ventilation space in the base.

Measurements in mm