

**iQ300, Built-under fridge, 82 x 60 cm, flat hinge  
KU21RVFE0G**



3 x egg tray	
KF10ZAX0	Door panel with decor frame
KU20ZSX0	Attachment door, stainless steel

Built-under fridge: loads of space and easy access, with Door Alarm for worry-free storage where space is limited.

- ✓ superCooling: faster cooling for fresh food.
- ✓ safetyGlass shelves – Extra strong and easy to clean.

Energy Efficiency Class: .....	E
Average annual energy consumption in kilowatt hour per year (kWh/a): .....	93 kWh/annum
Sum of volume of frozen compartments: .....	0 l
Sum of volume of chill compartments: .....	134 l
Airborne acoustical noise emissions : .....	35 dB(A) re 1 pW
Airborne acoustical noise emission class: .....	B
Built-in / Free-standing: .....	Built-in
Door panel options: .....	Not possible
Height: .....	820 mm
Width of the appliance: .....	598 mm
Dimensions: .....	548 mm
Min. required niche size for installation (HxWxD): ..	820 x 600 x 550 mm
Weight: .....	28.4 kg
Fuse protection: .....	10 A
Door opening: .....	Right reversible
Nominal power: .....	220-240 V
Frequency: .....	50 Hz
Length electrical supply cord: .....	230.0 cm
Number of compressors: .....	1
Number of independent cooling systems: .....	1
Interior ventilator: .....	No
Reversible Door Hinge: .....	Yes
Number of Adjustable Shelves in fridge compartment: .....	3
Shelves for Bottles: .....	No
EAN code: .....	4242003934029
Brand: .....	Siemens
Product name / Commercial code: .....	KU21RVFE0G
Product category: .....	Upright fridge
Frost free system: .....	No
Installation type: .....	Built under
Included accessories: .....	3 x egg tray



## iQ300, Built-under fridge, 82 x 60 cm, flat hinge KU21RVFE0G

### Performance and Consumption

- EU19\_EEK\_D: E
- Total Volume : 134 l
- Annual Energy Consumption: 93 kWh/a
- Climate Class: SN-T
- Noise Level : 35 dB , EU19\_Noise emission class\_D: B

### Functions

- LED fridge light with Soft Start

### Design features

- Electronic control (LED chain)
- Optical and acoustical door open warning system
- Fresh mode
- Home Connect: iService Remote, Remote Monitoring and Control with Wi-Fi connectivity
- Super Cooling: automatic deactivation
- Automatic defrost in fridge section
- Easy clean interior

### Design features

- Net Fridge Volume : 134 l
- 2 door bins
- Bottle holder in x-deep door tray

### Freshness System

#### Key features - Fridge section

- Right hinged door, door reversible
- can be built under
- Ventilation through plinth
- Length of power cord:230 cm
- 220 - 240 V

#### Dimension and installation

- Niche Dimensions: 82 cm H x 60 cm W x 55 cm D
- Dimensions: 82 cm H x 59.8 cm W x 54.8 cm D

#### Key features - Freezer section

- KU21RVFE0G

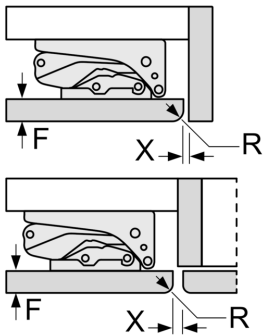
#### Country Specific Options

- Based on the results of the standard 24-hour test. Actual consumption depends on usage/position of the appliance.

#### Additional features

**iQ300, Built-under fridge, 82 x 60 cm, flat hinge  
KU21RVFE0G**

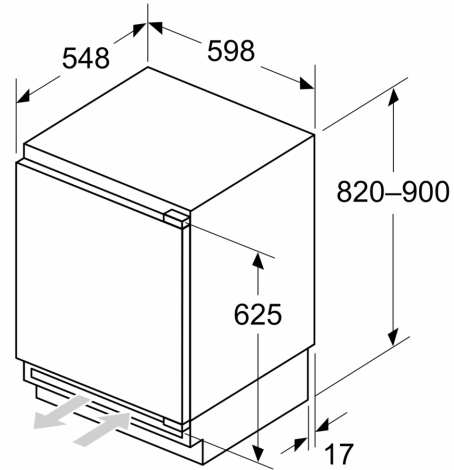
measurements in mm  
Recommended gap dimensions for flat hinges



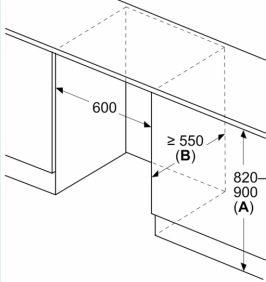
F	R	X
16-19	0-3	2.5
20	0-1	3
	2-3	2.5
21	0-1	3
	2-3	2.5
22	0	4
	1	3.5
	2-3	3

The gap dimensions recommended in the table must be adhered to in order to ensure that appliance doors do not collide with anything when they are opened, and to avoid causing damage to kitchen units.

Measurements in mm



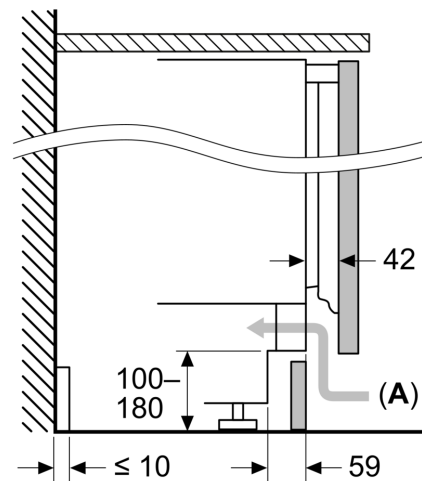
Measurements in mm



A: Substructure height  
B: ≥ 560 mm (recommended)

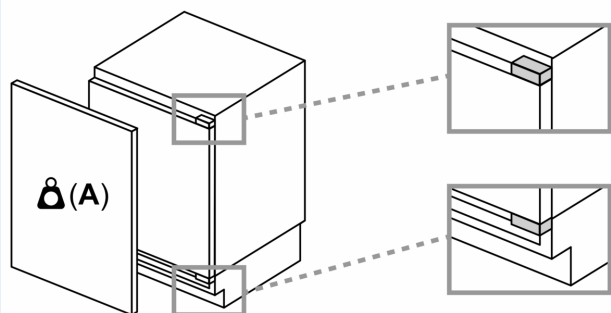
Space for electrical connection next to the appliance on the left or right side

Measurements in mm



A: Air inlet ≥ 200 cm<sup>2</sup>

## Maximal permissible weight of the unit fronts



Fitted unit fronts that exceed the permissible weight may cause damage and result in functional impairment of the hinges

**A:** Weight  $\leq$  12 kg