

**Series 6, Free-standing fridge, 186 x 60 cm, White  
KSV36AW31G**



**The refrigerator with VitaFresh plus Box: plus very economical consumption - keeps your fruits and vegetables vitamin-rich and fresher for longer.**

- **LED lighting:** all your items in perfect view.
- **Easy Access Shelf:** a pull-out glass shelf for easier access to everything inside your fridge.
- **Super Cool function:** cools new food faster, to protect what is already inside.
- **An audible alarm system signals the door is open**
- **SuperCooling quickly chills food and beverages with a touch of a button**



**Included accessories**

1 x egg tray

**Optional accessories**

KSZ10030    Bottle Rack

**Technical Data**

Built-in / Free-standing:	Freestanding
Door panel options:	Not possible
Height:	1860 mm
Width of the appliance:	600 mm
Depth:	650 mm
Net weight:	71.9 kg
Connection rating:	90 W
Fuse protection:	10 A
Door hinge:	Left reversible
Voltage:	220-240 V
Frequency:	50 Hz
Length electrical supply cord:	230.0 cm
Number of compressors:	1
Number of independent cooling systems:	1
Interior ventilator:	Yes
Reversible Door Hinge:	Yes
Number of Adjustable Shelves in fridge compartment:	5
Shelves for Bottles:	Yes
EAN code:	4242002740225
Brand:	Bosch
Product name / Commercial code:	KSV36AW31G
Product category:	Refrigerator
Frost free system:	No
Installation typology:	Free-standing
Included accessories:	1 x egg tray



4 242002 740225

## **Series 6, Free-standing fridge, 186 x 60 cm, White KSV36AW31G**

**The refrigerator with VitaFresh plus Box: plus very economical consumption - keeps your fruits and vegetables vitamin-rich and fresher for longer.**

---

### **Performance and Consumption**

- Energy Efficiency Class: A++
- Energy Efficiency Class: A++ kWh/yr: 0.306 kWh
- Total net capacity: 346 l litres
- Noise level dB(A) re 1 pW: 39

### **Design features**

- White door and white side panels
- Vertical door handle
- Left hinged, door reversible
- Bright interior LED fridge light
- Electronic LED display
- Removable magnetic door seals - easy to clean
- 1 compressor

### **Food freshness system**

- Interior ventilator

### **Key features - Fridge section**

- 1 MultiBox drawer on telescopic rails - Transparent drawer with a corrugated bottom, ideal for storing fruits and vegetables.
- 1 VitaFresh Plus drawer with humidity control. Fruit and vegetables retain vitamins and last longer.
- flexShelf - easy to pull out if required, space saving if not in use
- Interior design with metal applications
- 7 removable safety glass shelves of which 5 are easy pull out
- Door shelves in fridge door: 2 large and 2 small.
- 1 dairy compartment in door
- Automatic defrost fridge

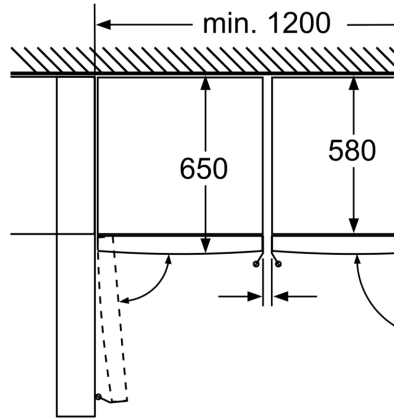
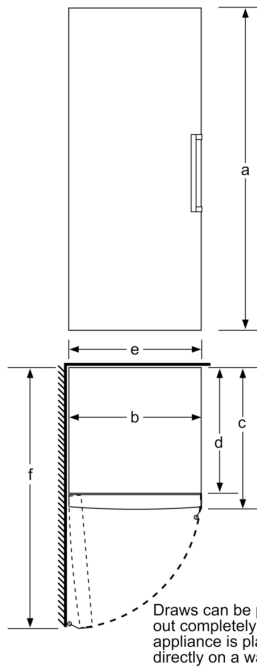
### **Functions**

- Super Cooling: automatic deactivation
- Optical and acoustical door open warning

### **Dimension and installation**

- Height adjustable feet in the front
- 220 - 240 V
- Dimensions: 186 cm H x 60 cm W x 65 cm D
- 3 x egg tray

**Series 6, Free-standing fridge, 186 x 60 cm, White  
KSV36AW31G**



Drawers can be pulled out completely if the appliance is placed directly on a wall.

meas

	a	b	c	d
KSW36, GSD36	187			
KSV36, KSF36, GSN36, GSV36	186			
KSV33, GSN33, GSV33	176	60	65	58
KSV29, GSN29, GSV29	161			
GSV24	146			
GSN51	161			
GSN54	176	70	78	70
GSN58	191			

- a Height
- b Width
- c Depth with closed door w/o handle and w/o distance part
- d Depth of cabinet w/o distance part
- e Width with open door w/o handle
- f Depth with open door w/o handle w/o distance part