

**Serie | 4, Built-in fridge-freezer with freezer at bottom, 177.2 x 54.1 cm, sliding hinge
KIV87VS30G**



A++

The bottom freezer with electronic temperature control and MultiBox: set the temperature easily and precisely.

- LED lights bring a completely new lighting concept to fridges
- **VarioZone:** more flexibility due to variable-use glass shelves and drawers in the freezer compartment.
- **BigBox frozen food drawer:** for stacking storage containers or for large frozen food items.
- **LowFrost:** defrost less often thanks to lower ice formation - saves work and is energy-efficient.

Technical Data

Construction type : Built-in
 Door panel options : Not possible
 Width of the appliance : 541 mm
 Depth of the product : 545 mm
 Required niche size for installation (HxWxD) : 1775.0 x 560 x 550 mm
 Net weight : 61.595 kg
 Connection rating : 90 W
 Fuse protection : 13 A
 Door hinge : Right reversible
 Voltage : 220-240 V
 Frequency : 50 Hz
 Approval certificates : CE, VDE
 Length of electrical supply cord : 230 cm
 Storage Period in Event of Power Failure (h) : 26 h
 Number of compressors : 1
 Number of independent cooling systems : 1
 Interior ventilator : No
 Reversible Door Hinge : Yes
 Number of Adjustable Shelves in fridge compartment (Stck) : 4
 Shelves for Bottles : No
 EAN code : 4242002839394
 Brand : Bosch
 Product name / Commercial code : KIV87VS30G
 Energy consumption annual - NEW (2010/30/EC) : 227.00 kWh/annum
 Refrigerator Net capacity - NEW (2010/30/EC) : 209 l
 Freezer Net capacity - NEW (2010/30/EC) : 63 l
 Frost free system : No
 Freezing capacity) - NEW (2010/30/EC) : 3 kg/24h
 Climate class : SN-T
 Noise level : 38 dB(A) re 1 pW
 Installation type : Full-integrated

Included accessories

2 x cold accumulator
 2 x egg tray
 1 x ice cube tray

Optional accessories

KSZ10020 : Bottle Rack



4 242002 839394

Serie | 4, Built-in fridge-freezer with freezer at bottom, 177.2 x 54.1 cm, sliding hinge KIV87VS30G

The bottom freezer with electronic temperature control and MultiBox: set the temperature easily and precisely.

Functions

Dimension and installation

- Easy Installation
- Height adjustable front feet
- Niche Dimensions: 177.5 cm H x 56 cm W x 55 cm D
- Dimensions: 177.2 cm H x 54.1 cm W x 54.5 cm D

Performance and Consumption

- Energy Efficiency Class: A++
- Energy Efficiency Class: A++ kWh/yr: 0.621 kWh
- Total net capacity: 272 l litres
- Net fridge capacity: 209 litres
- Net freezer capacity: 63 litres
- Noise level dB(A) re 1 pW: 38
- Climate class SN-T (suitable for ambient temperatures between 10 to 43°C)

Design features

- Bright interior LED fridge light
- Right hinged door, door reversible
- 1 compressor
- Bright interior LED fridge light
- LED electronic control
- Removable magnetic door seals - easy to clean
- Easy clean interior

Food freshness system

- FreshSense - Constant temperature control by intelligent sensor technology
- 2 x cold accumulator, 3 x egg tray, 1 x ice cube tray
- 1 MultiBox - Transparent drawer with a rippled bottom, ideal for storing fruits and vegetables.

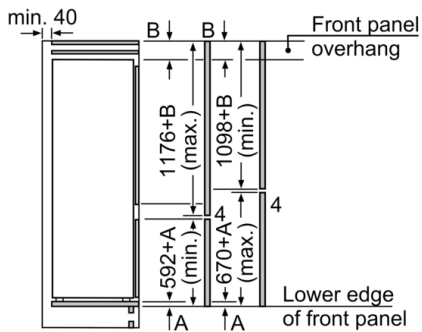
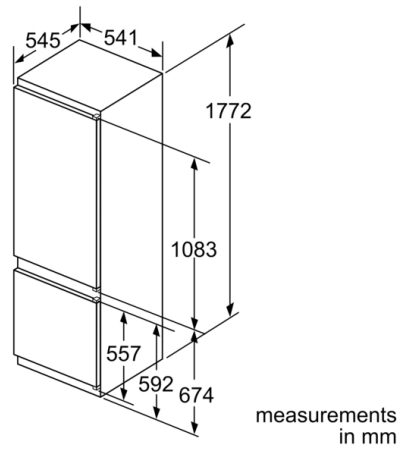
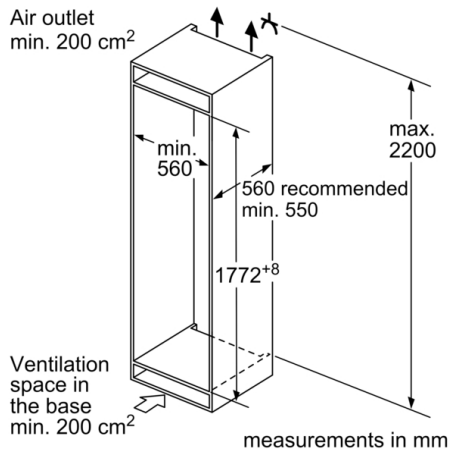
Key features - Fridge section

- 5 door bins
- Sliding hinge, softClosing door: No
- 5 removable safety glass shelves of which 4 are easy pull out
- Door shelves in fridge door: 1 large and 4 small.
- 5 safety glass shelves in fridge compartment of which 4 are height adjustable

Key features - Freezer section

- 2 transparent freezer drawers, including 1 BigBox
- Freezing capacity in 24 hours: 3 kg
- 4 star freezer rating
- Manual defrost freezer
- SuperFreezing function with automatic deactivation
- Maximum freezer storage time in power failure: 26 hours
- Calendar frozen food

Serie | 4, Built-in fridge-freezer with freezer at bottom, 177.2 x 54.1 cm, sliding hinge KIV87VS30G



The specified unit door dimensions are valid for a door gap of 4 mm.
measurements in mm