

**Serie | 2, Built-in fridge-freezer with
freezer at bottom, 177.2 x 54.1 cm,
sliding hinge
KIV38X22GB**



Included accessories

1 x butter dish



**The bottom freezer with MultiBox: lots of
space for your fruits and vegetables.**

- **MultiBox:** transparent drawer with wave bottom, ideal for the storage of fruits and vegetables
- The egg rack keeps your eggs safe

Technical Data

Energy Efficiency Class: G

Average annual energy consumption in kilowatt hour per year (kWh/a): 341 kWh/annum

Sum of volume of frozen compartments: 64 l

Sum of volume of chill compartments: 217 l

Airborne acoustical noise emissions : 40 dB(A) re 1 pW

Airborne acoustical noise emission class: C

Construction type: Built-in

Door panel options: Not possible

Width of the appliance: 541 mm

Depth of the product: 545 mm

Required niche size for installation (HxWxD): 1775.0 x 562.0 x 550 mm

Net weight: 56.913 kg

Connection rating: 90 W

Fuse protection: 13 A

Door hinge: Right reversible

Voltage: 220-240 V

Frequency: 50 Hz

Approval certificates: VDE

Length of electrical supply cord: 230 cm

Storage Period in Event of Power Failure (h): 7 h

Number of compressors: 1

Number of independent cooling systems: 1

Interior ventilator: No

Reversible Door Hinge: Yes

Number of Adjustable Shelves in fridge compartment (Stck): 4

Shelves for Bottles: No

Frost free system: No

Installation type: Full-integrated

Type of hinge: Follow-door



Serie | 2, Built-in fridge-freezer with freezer at bottom, 177.2 x 54.1 cm, sliding hinge KIV38X22GB

The bottom freezer with MultiBox: lots of space for your fruits and vegetables.

Performance and Consumption

- Energy Efficiency Class: A+
- Energy Efficiency Class: A+ kWh/yr: 0.752 kWh
- Total net capacity: 276 l litres
- Net fridge capacity: 217 litres
- Net freezer capacity: 59 litres
- Noise level dB(A) re 1 pW: 40

Design features

- Sliding hinge
- Right hinged door, door reversible
- LED electronic control
- Removable magnetic door seals - easy to clean

Food freshness system

- 1 compressor

Key features - Fridge section

- Automatic defrost fridge
- 5 safety glass shelves in fridge compartment of which 4 are height adjustable
- 1 MultiBox - Transparent drawer with a rippled bottom, ideal for storing fruits and vegetables.

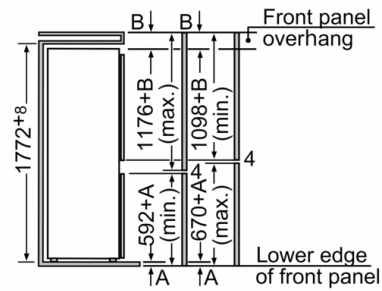
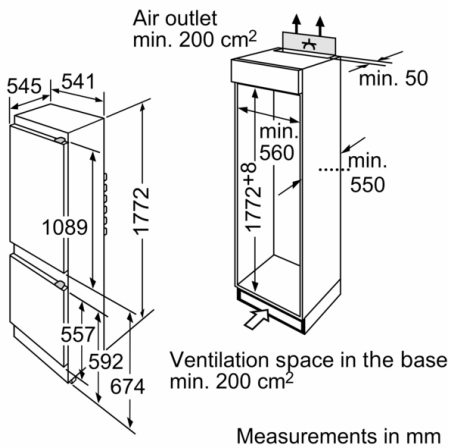
Key features - Freezer section

- Manual defrost freezer
- 3 freezer drawers
- 4 star freezer rating
- Calendar frozen food
- Freezing capacity in 24 hours: 6 kg
- Maximum freezer storage time in power failure: 13 hours

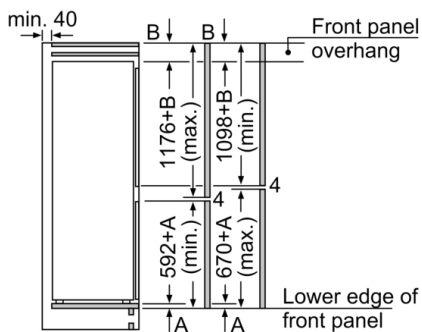
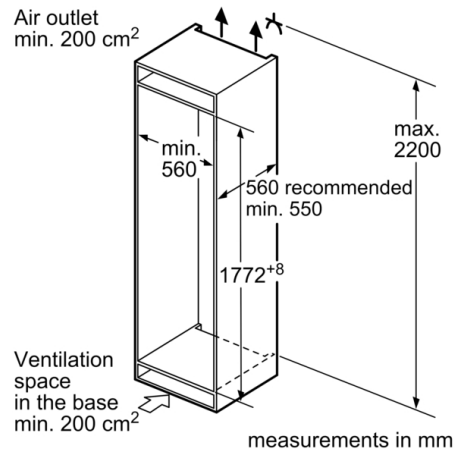
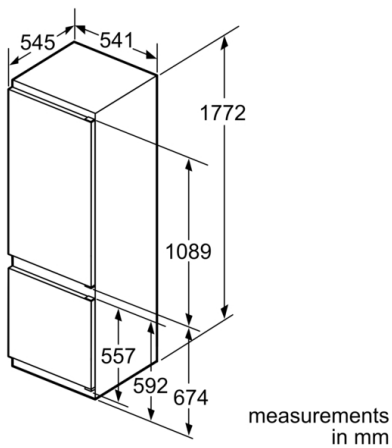
Dimension and installation

- Climate class SN-ST (suitable for ambient temperatures between 10 to 38°C)
- Connection value 90 W
- Dimensions: 177.2 cm H x 54.1 cm W x 54.5 cm D
- Niche Dimensions: 177.5 cm H x 56.2 cm W x 55 cm D

Serie | 2, Built-in fridge-freezer with freezer at bottom, 177.2 x 54.1 cm, sliding hinge KIV38X22GB



The specified unit door dimensions are valid for a door gap of 4 mm. If a different gap width is used (max. 14 mm), the dimensions must be adjusted.



The specified unit door dimensions are valid for a door gap of 4 mm.

measurements in mm