

**Built-in fridge-freezer with freezer at bottom, 177.2 x 54.1 cm, sliding hinge**

**KIV38V20GB**



**The bottom freezer with MultiBox: lots of space for your fruits and vegetables.**

**Technical Data**

Built-in / Free-standing: .....	Built-in
Door panel options: .....	Not possible
Height: .....	1772 mm
Width of the appliance: .....	541 mm
Depth: .....	545 mm
Min. required niche size for installation (HxWxD): ...	1775.0 x 562.0 x 550 mm
Net weight: .....	59.3 kg
Connection rating: .....	90 W
Fuse protection: .....	13 A
Door hinge: .....	Right reversible
Voltage: .....	220-240 V
Frequency: .....	50 Hz
Length electrical supply cord: .....	230.0 cm
Number of compressors: .....	1
Number of independent cooling systems: .....	1
Interior ventilator: .....	No
Reversible Door Hinge: .....	Yes
Number of Adjustable Shelves in fridge compartment: .....	4
Shelves for Bottles: .....	No
Frost free system: .....	No
Installation typology: .....	Integrated



## **Built-in fridge-freezer with freezer at bottom, 177.2 x 54.1 cm, sliding hinge KIV38V20GB**

### **The bottom freezer with MultiBox: lots of space for your fruits and vegetables.**

---

#### **Performance and Consumption**

- Energy Efficiency Class: A+
- Energy Efficiency Class: A+ kWh/yr: 0.756 kWh
- Total net capacity: 277 l litres
- Net fridge capacity: 217 litres
- Net freezer capacity: 60 litres
- Noise level dB(A) re 1 pW: 40

#### **Design features**

- Sliding hinge
- Right hinged door, door reversible
- Mechanical control
- Removable magnetic door seals - easy to clean

#### **Food freshness system**

- 1 compressor

#### **Key features - Fridge section**

- Automatic defrost fridge
- Interior fridge light (1x 15 Watt)
- 5 safety glass shelves in fridge compartment of which 4 are height adjustable
- 1 MultiBox - Transparent drawer with a rippled bottom, ideal for storing fruits and vegetables.

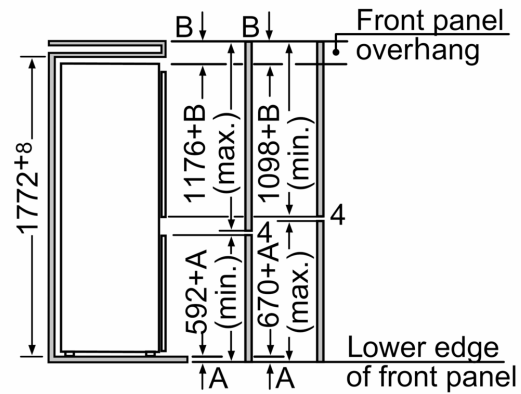
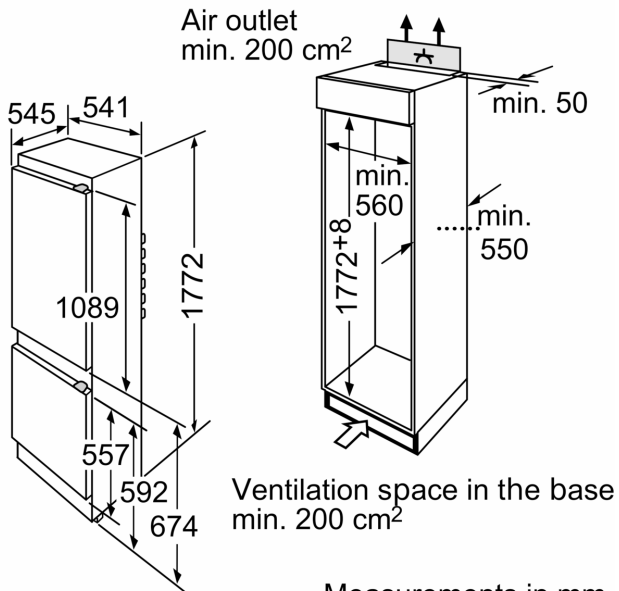
#### **Key features - Freezer section**

- Manual defrost freezer
- 3 freezer drawers
- 4 star freezer rating
- Calendar frozen food
- Freezing capacity in 24 hours: 3 kg
- Maximum freezer storage time in power failure: 13 hours

#### **Dimension and installation**

- Climate class ST
- Connection value 90 W
- Dimensions: 177.2 cm H x 54.1 cm W x 54.5 cm D
- Niche Dimensions: 177.5 cm H x 56.2 cm W x 55 cm D

**Built-in fridge-freezer with freezer at bottom, 177.2 x 54.1 cm, sliding hinge  
KIV38V20GB**



The specified unit door dimensions are valid for a door gap of 4 mm. If a different gap width is used (max. 14 mm), the dimensions must be adjusted.