

**Serie | 2, Built-in fridge-freezer with
freezer at bottom, 177.2 x 54.1 cm,
sliding hinge
KIV32X23GB**



Included accessories

1 x butter dish



**The bottom freezer with MultiBox: lots of
space for your fruits and vegetables.**

- The egg rack keeps your eggs safe
- FreshSense sensors constantly monitor and control the ambient, fridge and freezer temperature

Technical Data

Energy Efficiency Class: G

Average annual energy consumption in kilowatt hour per year (kWh/a): 329 kWh/annum

Sum of volume of frozen compartments: 99 l

Sum of volume of chill compartments: 162 l

Airborne acoustical noise emissions : 40 dB(A) re 1 pW

Airborne acoustical noise emission class: C

Construction type: Built-in

Door panel options: Not possible

Width of the appliance: 541 mm

Depth of the product: 545 mm

Required niche size for installation (HxWxD): 1775.0 x 562.0 x 550 mm

Net weight: 54.904 kg

Connection rating: 120 W

Fuse protection: 13 A

Door hinge: Right reversible

Voltage: 220-240 V

Frequency: 50 Hz

Approval certificates: CE, VDE

Length of electrical supply cord: 230 cm

Storage Period in Event of Power Failure (h): 10 h

Number of compressors: 1

Number of independent cooling systems: 1

Interior ventilator: No

Reversible Door Hinge: Yes

Number of Adjustable Shelves in fridge compartment (Stck): 2

Shelves for Bottles: No

Frost free system: No

Installation type: Full-integrated

Type of hinge: Follow-door



4 242002 877945

Serie | 2, Built-in fridge-freezer with freezer at bottom, 177.2 x 54.1 cm, sliding hinge KIV32X23GB

The bottom freezer with MultiBox: lots of space for your fruits and vegetables.

Performance and Consumption

- Energy Efficiency Class: A+
- Energy Efficiency Class: A+ kWh/yr: 0.773 kWh
- Total net capacity: 255 l litres
- Net fridge capacity: 162 litres
- Net freezer capacity: 93 litres
- Noise level dB(A) re 1 pW: 40

Design features

- Manual defrost freezer
- Sliding hinge, softClosing door: No
- Right hinged door, door reversible
- LED electronic control
- Removable magnetic door seals - easy to clean

Food freshness system

- 1 MultiBox - Transparent drawer with a rippled bottom, ideal for storing fruits and vegetables.
- 1 compressor

Key features - Fridge section

- Automatic defrost fridge
- Interior fridge light (1x 25 Watt)
- 3 safety glass shelves in fridge compartment of which 2 are height adjustable

Key features - Freezer section

- 4 star freezer rating
- 4 freezer drawers
- Freezing capacity in 24 hours: 6 kg
- Maximum freezer storage time in power failure: 16 hours

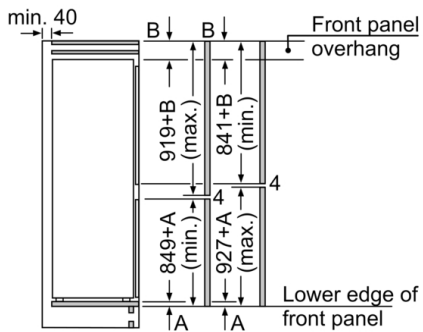
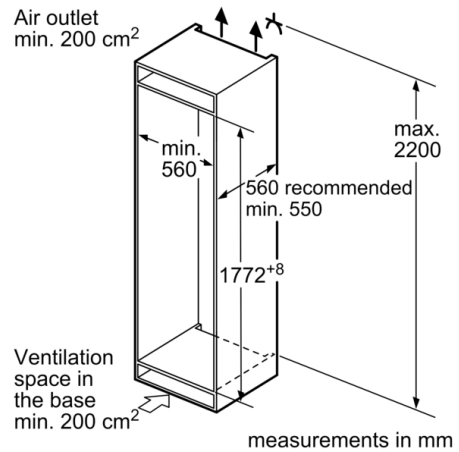
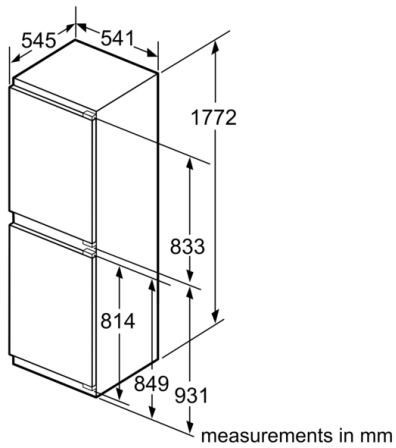
Functions

- without

Dimension and installation

- Connection value 120 W
- Dimensions: 177.2 cm H x 54.1 cm W x 54.5 cm D
- Niche Dimensions: 177.5 cm H x 56.2 cm W x 55 cm D
- Climate class SN-ST (suitable for ambient temperatures between 10 to 38°C)

Serie | 2, Built-in fridge-freezer with freezer at bottom, 177.2 x 54.1 cm, sliding hinge KIV32X23GB



The specified unit door dimensions are valid for a door gap of 4 mm.

measurements in mm