

**Serie | 6, Built-in fridge-freezer with freezer at bottom, 177.2 x 55.8 cm, flat hinge
KIS86AF30G**



A++

The bottom freezer with VitaFresh plus drawer: keeps your fruit and vegetables fresher for longer.

- LED lights bring a completely new lighting concept to fridges
- **VarioZone:** more flexibility due to variable-use glass shelves and drawers in the freezer compartment.
- **BigBox frozen food drawer:** for stacking storage containers or for large frozen food items.
- **EasyAccess Shelf:** pull-out glass shelf gives you better access to the contents of your fridge.
- **LowFrost:** defrost less often thanks to lower ice formation - saves work and is energy-efficient.

Technical Data

Construction type : Built-in
 Door panel options : Not possible
 Width of the appliance : 558 mm
 Depth of the product : 545 mm
 Required niche size for installation (HxWxD) : 1775.0 x 560 x 550 mm
 Net weight : 69.235 kg
 Connection rating : 90 W
 Fuse protection : 13 A
 Door hinge : Right reversible
 Voltage : 220-240 V
 Frequency : 50 Hz
 Approval certificates : CE, VDE
 Length of electrical supply cord : 230 cm
 Storage Period in Event of Power Failure (h) : 32 h
 Number of compressors : 1
 Number of independent cooling systems : 2
 Interior ventilator : No
 Reversible Door Hinge : Yes
 Number of Adjustable Shelves in fridge compartment (Stck) : 4
 Shelves for Bottles : No
 EAN code : 4242002723013
 Brand : Bosch
 Product name / Commercial code : KIS86AF30G
 Energy consumption annual - NEW (2010/30/EC) : 218.00 kWh/annum
 Refrigerator Net capacity - NEW (2010/30/EC) : 191 l
 Freezer Net capacity - NEW (2010/30/EC) : 74 l
 Frost free system : No
 Freezing capacity) - NEW (2010/30/EC) : 7 kg/24h
 Climate class : SN-ST
 Noise level : 36 dB(A) re 1 pW
 Installation type : Full-integrated



Included accessories

2 x cold accumulator
 2 x egg tray
 1 x ice cube tray

Optional accessories

KSZ10020 : Bottle Rack



4 242002 723013

Serie | 6, Built-in fridge-freezer with freezer at bottom, 177.2 x 55.8 cm, flat hinge KIS86AF30G

The bottom freezer with VitaFresh plus drawer: keeps your fruit and vegetables fresher for longer.

Dimension and installation

- Connection value 90 W
- Dimensions: 177.2 cm H x 55.8 cm W x 54.5 cm D
- Niche Dimensions: 177.5 cm H x 56 cm W x 55 cm D
- Climate class SN-ST (suitable for ambient temperatures between 10 to 38°C)
- Based on the results of the standard 24-hour test. Actual consumption depends on usage/position of the appliance.

Performance and Consumption

- Energy Efficiency Class: A++
- Energy Efficiency Class: A++ kWh/yr: 0.597 kWh
- Total net capacity: 265 l litres
- Net fridge capacity: 191 litres
- Net freezer capacity: 74 litres
- Noise level dB(A) re 1 pW: 36

Design features

- Manual defrost freezer
- Right hinged door, door reversible
- Electronic control for fridge and freezer with LED display
- Removable magnetic door seals - easy to clean

Food freshness system

- 1 VitaFresh Plus drawer with humidity control. Fruit and vegetables retain vitamins and last longer.
- FreshSense - Constant temperature control by intelligent sensor technology
- Two separate cooling circuits allow independent temperature control and prevents the transference of humidity between the fridge and freezer cavity

Key features - Fridge section

- Automatic defrost fridge
- Bright interior LED fridge light
- 5 safety glass shelves in fridge compartment of which 4 are height adjustable
- Super Cooling: automatic deactivation

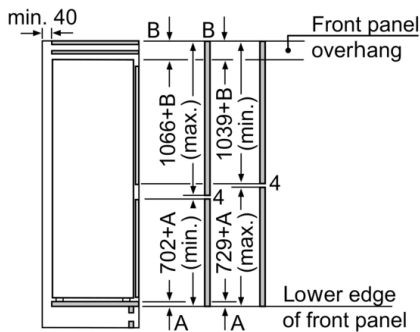
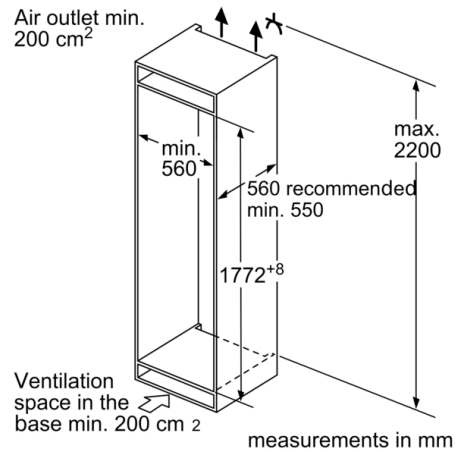
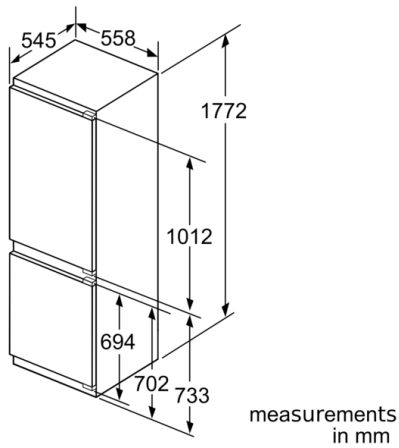
Key features - Freezer section

- no
- 4 star freezer rating
- 3 freezer drawers
- Freezing capacity in 24 hours: 7 kg
- Maximum freezer storage time in power failure: 32 hours

Functions

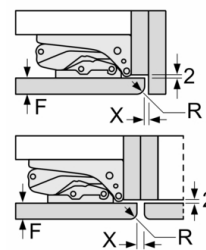
- Freezer malfunction warning signal: optical and accoustical
- SuperFreezing function with automatic deactivation
- Optical and accoustical door open warning

Serie | 6, Built-in fridge-freezer with freezer at bottom, 177.2 x 55.8 cm, flat hinge KIS86AF30G



The specified unit door dimensions are valid for a door gap of 4 mm.
measurements in mm

measurements in mm
Recommended gap dimensions for flat hinges



F	R	X
16-19	0-3	2.5
20	0-1	3
	2-3	2.5
21	0-1	3
	2-3	2.5
22	0	4
	1	3.5
	2-3	3

The gap dimensions recommended in the table must be adhered to in order to ensure that appliance doors do not collide with anything when they are opened, and to avoid causing damage to kitchen units.