

Series 4, Built-in fridge, 177.5 x 56 cm, flat hinge KIR81VFE0G



Included accessories

3 x egg tray, 1 x Heavy-duty hinge support

Optional accessories

KSZGGM00 Butter box

- **High-stability door trays:** more height means more flexible space and stability.
- **LED lighting:** all your items in perfect view.
- **Super Cool function:** cools new food faster, to protect what is already inside.
- **SuperCooling quickly chills food and beverages with a touch of a button**

Technical Data

Energy Efficiency Class: E
 Average annual energy consumption in kilowatt hour per year (kWh/a): 114 kWh/annum
 Sum of volume of frozen compartments: 0 l
 Sum of volume of chill compartments: 310 l
 Airborne acoustical noise emissions :35 dB(A) re 1 pW
 Airborne acoustical noise emission class:B
 Built-in / Free-standing: Built-in
 Door panel options: Not possible
 Height: 1772 mm
 Width of the appliance: 541 mm
 Depth: 548 mm
 Min. required niche size for installation (HxWxD): 1775.0 x 560 x 550 mm
 Net weight: 52.6 kg
 Fuse protection: 10 A
 Door hinge: Right reversible
 Voltage: 220-240 V
 Frequency: 50 Hz
 Length electrical supply cord: 230.0 cm
 Number of compressors: 1
 Number of independent cooling systems: 1
 Interior ventilator: Yes
 Reversible Door Hinge: Yes
 Number of Adjustable Shelves in fridge compartment: 5
 Shelves for Bottles: Yes
 EAN code: 4242005365272
 Brand: Bosch
 Product name / Commercial code: KIR81VFE0G
 Product category: Refrigerator
 Frost free system: No
 Installation typology: Integrated
 Included accessories: 3 x egg tray, 1 x Heavy-duty hinge support



Series 4, Built-in fridge, 177.5 x 56 cm, flat hinge KIR81VFE0G

Performance and Consumption

- EU19_EEK_D: E
- Total Volume : 310 l
- Annual Energy Consumption: 114 kWh/a
- Climate Class: SN-ST
- Noise Level : 35 dB , EU19_Noise emission class_D: B

Functions

- Bright interior LED fridge light

Design features

- LED electronic control
- Optical and accoustical
- Super Cooling: automatic deactivation
- Automatic defrost fridge
- Easy clean interior

Design features

- Net Fridge Volume : 310 l
- 7 safety glass shelves in fridge compartment of which 5 are height adjustable
- 5 door bins
- Metal bottle rack

Freshness System

- 2 MultiBox drawers

Key features - Fridge section

- Right hinged door, door reversible
- integrated
- Ventilation through plinth
- Length of power cord:230 cm
- 220 - 240 V

Dimension and installation

- Niche Dimensions: 177.5 cm H x 56 cm W x 55 cm D
- Dimensions: 177.2 cm H x 54.1 cm W x 54.8 cm D

Key features - Freezer section

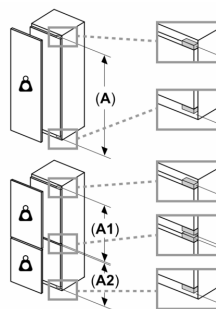
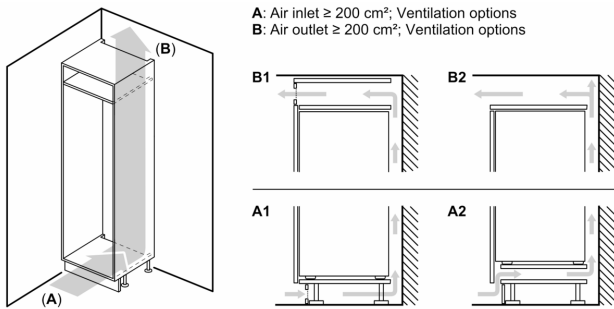
- KIR81VFE0G

Country Specific Options

- Based on the results of the standard 24-hour test. Actual consumption depends on usage/position of the appliance.

Additional features

**Series 4, Built-in fridge, 177.5 x 56 cm, flat hinge
KIR81VFE0G**



Maximal permissible weight of the unit fronts

Fitted unit fronts that exceed the permissible weight may cause damage and result in functional impairment of the hinges

Δ Weight
 A: Appliance door height including hinges in mm

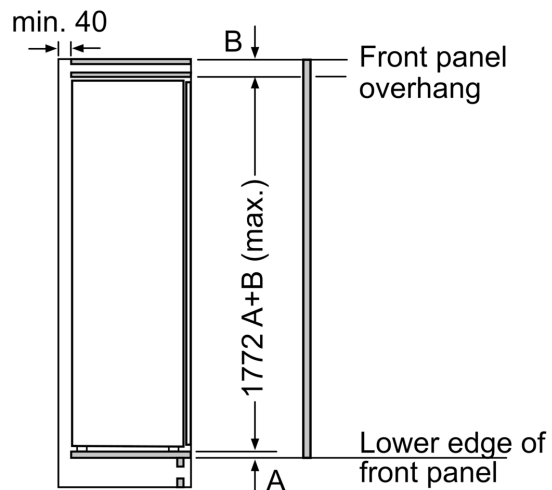
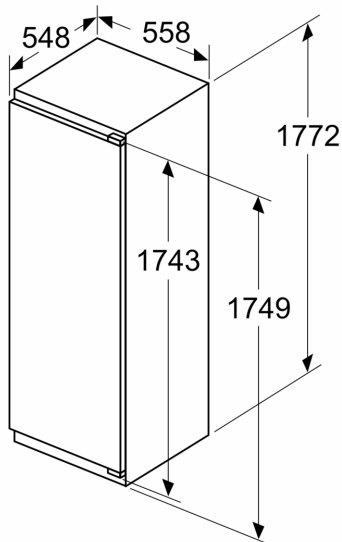
B: Undamped hinge, unit front in kg

C: Damped hinge, unit front in kg

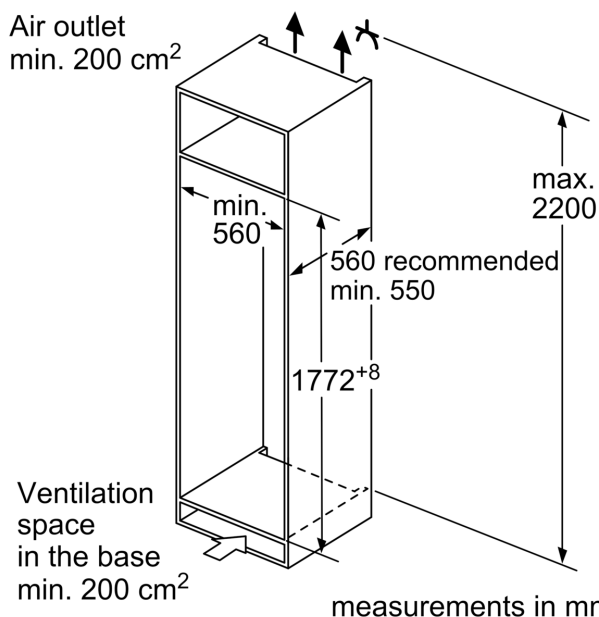
D: Additional possible load in kg with heavy load kit

A	B	C	D
1500-1750	22	22	
720-1400	19	19	B+5 / C+5
A1	15	19	
A2	15	19	

Measurements in mm

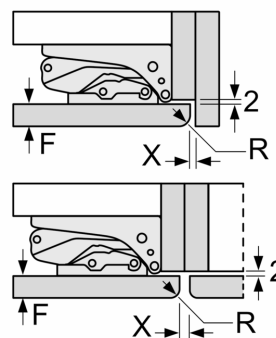


measurements in mm



measurements in mm

Recommended gap dimensions for flat hinges



F	R	X
16-19	0-3	2.5
20	0-1	3
	2-3	2.5
21	0-1	3
	2-3	2.5
22	0	4
	1	3.5
	2-3	3

The gap dimensions recommended in the table must be adhered to in order to ensure that appliance doors do not collide with anything when they are opened, and to avoid causing damage to kitchen units.