

**Series 4, Built-in fridge, 122.5 x 56 cm, flat hinge  
KIR41VFE0G**



3 x egg tray

- KFZ40AX0 Door panel with decor frame
- KFZ40SX0 Stainless steel door panel
- KSZB6R00 Bottle Rack
- KSZGGM00 Butter box

**The spacious built-in fridge with Multi Box XXL drawer for fruit and vegetables and high stability door trays provides optimal food storage.**

- **Eco Airflow:** maintains optimal air circulation and a constant temperature level throughout the cooling area.
- **LED lighting:** all your items in perfect view.

|  |                        |
|--|------------------------|
| Energy Efficiency Class: .....   | E                      |
| Average annual energy consumption in kilowatt hour per year (kWh/a): ..... | 101 kWh/annum          |
| Sum of volume of frozen compartments: .....                                | 0 l                    |
| Sum of volume of chill compartments: .....                                 | 204 l                  |
| Airborne acoustical noise emissions : .....                                | 35 dB(A) re 1pW        |
| Airborne acoustical noise emission class: .....                            | B                      |
| Built-in / Free-standing: .....  | Built-in               |
| Door panel options: .....  | Possible but accessory |
| Height: .....  | 1221 mm                |
| Width of the appliance: .....  | 541 mm                 |
| Depth: .....   | 548 mm                 |
| Required niche size for installation (HxWxD): 1225.0 x 560 x 550 mm        |                        |
| Net weight: .....  | 39.3 kg                |
| Door hinge: .....  | Other                  |
| Voltage: .....   | 220-240 V              |
| Frequency: .....   | 50 Hz                  |
| Length electrical supply cord: .....                                       | 230.0 cm               |
| Number of compressors: .....   | 1                      |
| Number of independent cooling systems: .....                               | 1                      |
| Interior ventilator: .....   | No                     |
| Reversible Door Hinge: .....   | No                     |
| Number of Adjustable Shelves in fridge compartment: .....                  | 4                      |
| Shelves for Bottles: .....   | Yes                    |
| EAN code: .....  | 4242005340866          |
| Brand: .....   | Bosch                  |
| Product name / Commercial code: .....                                      | KIR41VFE0G             |
| Product category: .....  | Refrigerator           |
| Frost free system: .....   | No                     |
| Installation typology: .....   | Integrated             |
| Included accessories: .....  | 3 x egg tray           |



## **Series 4, Built-in fridge, 122.5 x 56 cm, flat hinge KIR41VFE0G**

**The spacious built-in fridge with Multi Box XXL drawer for fruit and vegetables and high stability door trays provides optimal food storage.**

- 
- Fixed hinge, softClosing door: No
  - Easy Installation

### **Performance and Consumption**

- EU19\_EEK\_D: E
- Total Volume : 204 l
- Net Fridge Volume : 204 l
- Net Freezer Volume : 0 l
- Annual Energy Consumption: 101 kWh/a
- Climate Class: SN-ST
- EU19\_Fast freezer facility\_D
- Noise Level : 35 dB , EU19\_Noise emission class\_D: B

### **Functions**

- Bright interior LED fridge light

### **Design features**

- Automatic defrost fridge
- Super Cooling: automatic deactivation

### **Design features**

- 5 safety glass shelves (4 height adjustable)
- 4 door trays, including 1x dairy compartment

### **Freshness System**

- 1 MultiBox - Transparent drawer with a rippled bottom, ideal for storing fruits and vegetables.

### **Dimension and installation**

- Dimensions: 122.1 cm H x 54.1 cm W x 54.8 cm D
- Niche Dimensions: 122.5 cm H x 56 cm W x 55 cm D

### **Key features - Fridge section**

- 220 - 240 V

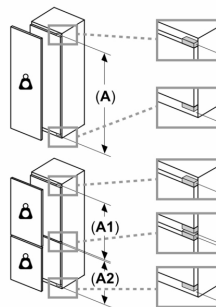
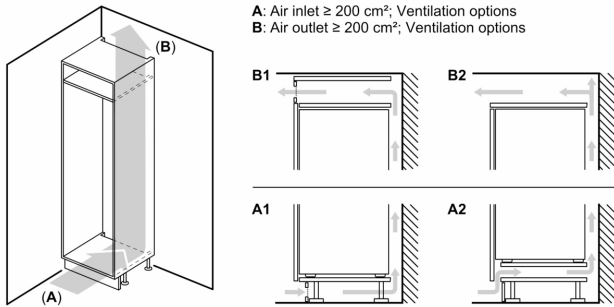
### **Key features - Freezer section**

- 3 x egg tray
- bottle holder in door tray

### **Country Specific Options**

- Based on the results of the standard 24-hour test. Actual consumption depends on usage/position of the appliance.

## Series 4, Built-in fridge, 122.5 x 56 cm, flat hinge KIR41VFE0G



### Maximal permissible weight of the unit fronts

Fitted unit fronts that exceed the permissible weight may cause damage and result in functional impairment of the hinges

$\Delta$ : Weight

A: Appliance door height including hinges in mm

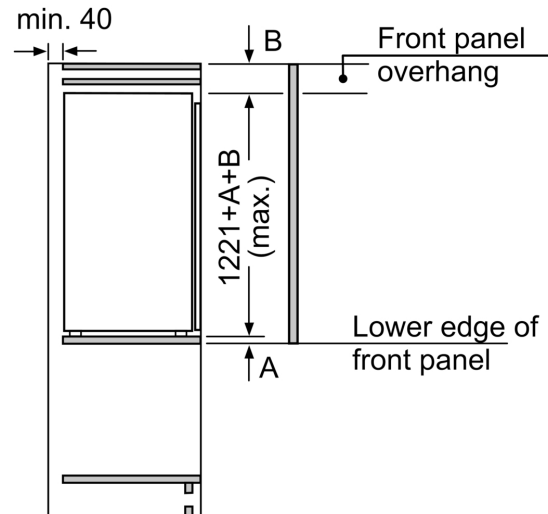
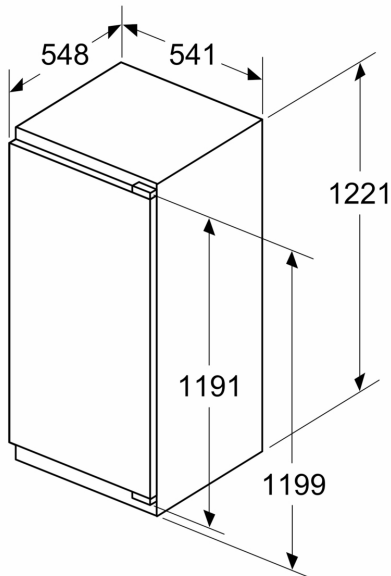
B: Undamped hinge, unit front in kg

C: Damped hinge, unit front in kg

D: Additional possible load in kg with heavy load kit

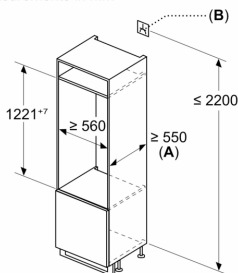
| A         | B  | C  | D         |
|-----------|----|----|-----------|
| 1500-1750 | 22 | 22 |           |
| 720-1400  | 19 | 19 | B+5 / C+5 |
| A1        | 15 | 19 |           |
| A2        | 15 | 19 |           |

### Measurements in mm



measurements in mm

### Measurements in mm

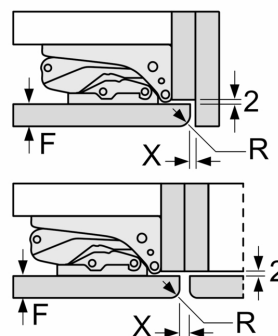


A:  $\geq 560 \text{ mm}$  (recommended)

B: Socket

### measurements in mm

### Recommended gap dimensions for flat hinges



| F     | R   | X   |
|-------|-----|-----|
| 16-19 | 0-3 | 2.5 |
| 20    | 0-1 | 3   |
|       | 2-3 | 2.5 |
| 21    | 0-1 | 3   |
|       | 2-3 | 2.5 |
| 22    | 0   | 4   |
|       | 1   | 3.5 |
|       | 2-3 | 3   |

The gap dimensions recommended in the table must be adhered to in order to ensure that appliance doors do not collide with anything when they are opened, and to avoid causing damage to kitchen units.