

**Series 2, Built-in fridge, 122.5 x 56 cm, sliding hinge
KIR41NSE0G**



Included accessories

3 x egg tray

Optional accessories

KSZB6R00 Bottle Rack
KSZGGM00 Butter box

The spacious built-in fridge with Multi Box XXL drawer for fruit and vegetables and high stability door trays provides optimal food storage.

- **Eco Airflow:** maintains optimal air circulation and a constant temperature level throughout the cooling area.
- **LED lighting:** all your items in perfect view.

Technical Data

Energy Efficiency Class: E
 Average annual energy consumption in kilowatt hour per year (kWh/a): 101 kWh/annum
 Sum of volume of frozen compartments: 0 l
 Sum of volume of chill compartments: 204 l
 Airborne acoustical noise emissions :35 dB(A) re 1 pW
 Airborne acoustical noise emission class:B
 Built-in / Free-standing: Built-in
 Door panel options: Not possible
 Height: 1221 mm
 Width of the appliance:541 mm
 Depth:548 mm
 Min. required niche size for installation (HxWxD): 1225.0 x 560 x 550 mm
 Net weight:38.1 kg
 Fuse protection:10 A
 Door hinge: Right reversible
 Voltage: 220-240 V
 Frequency: 50 Hz
 Length electrical supply cord: 230.0 cm
 Number of compressors: 1
 Number of independent cooling systems: 1
 Interior ventilator: No
 Reversible Door Hinge: Yes
 Number of Adjustable Shelves in fridge compartment: 4
 Shelves for Bottles: No
 EAN code:4242005328628
 Brand: Bosch
 Product name / Commercial code: KIR41NSE0G
 Product category: Refrigerator
 Frost free system:No
 Installation typology: Integrated
 Included accessories: 3 x egg tray



Series 2, Built-in fridge, 122.5 x 56 cm, sliding hinge KIR41NSE0G

The spacious built-in fridge with Multi Box XXL drawer for fruit and vegetables and high stability door trays provides optimal food storage.

- Easy Installation

Performance and Consumption

- EU19_EEK_D: E
- Total Volume : 204 l
- Net Fridge Volume : 204 l
- Net Freezer Volume : 0 l
- Annual Energy Consumption: 101 kWh/a
- Climate Class: SN-ST
- EU19_Fast freezer facility_D
- Noise Level : 35 dB , EU19_Noise emission class_D: B

Functions

- Bright interior LED fridge light
- LED electronic control
- Automatic defrost fridge
- Super Cooling: automatic deactivation
- Optical and acoustical door open warning

Design features

- 5 safety glass shelves (4 height adjustable)

Freshness System

- 1 MultiBox - Transparent drawer with a rippled bottom, ideal for storing fruits and vegetables.

Dimension and installation

- Dimensions: 122.1 cm H x 54.1 cm W x 54.8 cm D
- Niche Dimensions: 122.5 cm H x 56 cm W x 55 cm D
- Right hinged door, door reversible
- 220 - 240 V

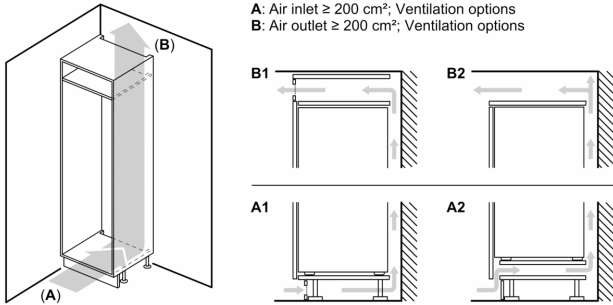
Key features - Freezer section

- 3 x egg tray
- bottle holder in door tray

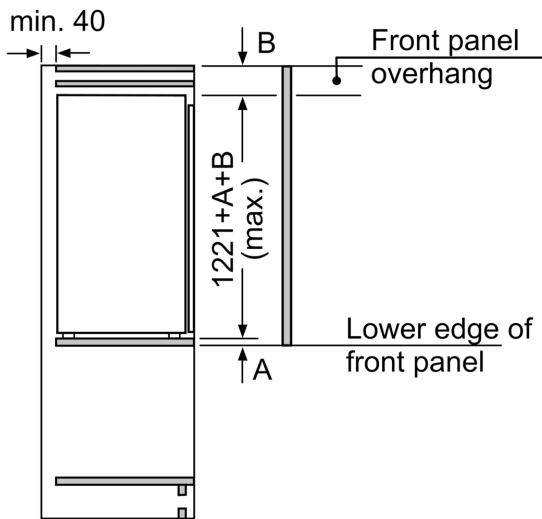
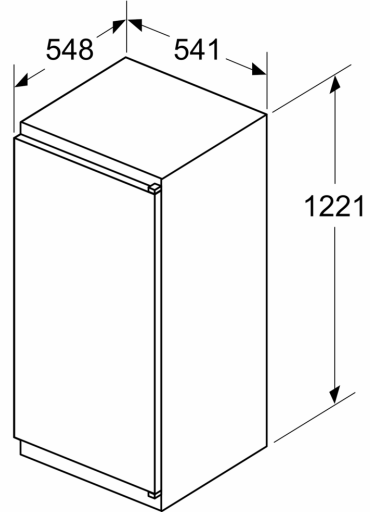
Country Specific Options

- Based on the results of the standard 24-hour test. Actual consumption depends on usage/position of the appliance.

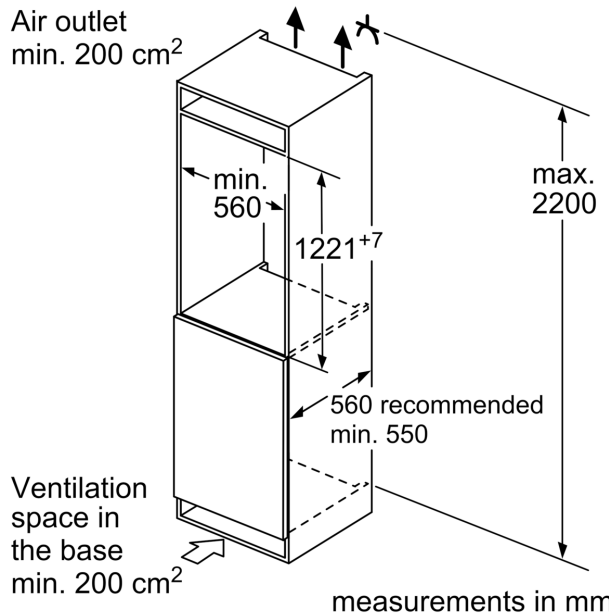
**Series 2, Built-in fridge, 122.5 x 56 cm, sliding hinge
KIR41NSE0G**



Measurements in mm



measurements in mm



measurements in mm