

**Series 6, Built-in fridge, 122.5 x 56 cm, flat hinge  
KIR41AFF0G**



**Technical Data**

Energy Efficiency Class: ..... F  
 Average annual energy consumption in kilowatt hour per year (kWh/a): ..... 123 kWh/annum  
 Sum of volume of frozen compartments: ..... 0 l  
 Sum of volume of chill compartments: ..... 211 l  
 Airborne acoustical noise emissions : .....33 dB(A) re 1 pW  
 Airborne acoustical noise emission class: .....B  
 Installation type: .....Built-in  
 Door panel options: ..... Possible but accessory  
 Height: ..... 1221 mm  
 Width of the appliance: ..... 558 mm  
 Depth of the product: ..... 545 mm  
 Min. required niche size for installation (HxWxD): 1225.0 x 560 x 550 mm  
 Net weight: ..... 44.1 kg  
 Connection rating: ..... 90 W  
 Fuse protection: ..... 13 A  
 Door hinge: ..... Right reversible  
 Voltage: ..... 220-240 V  
 Frequency: ..... 50 Hz  
 Length of electrical supply cord: ..... 230.0 cm  
 Number of compressors: ..... 1  
 Number of independent cooling systems: ..... 1  
 Interior ventilator: ..... No  
 Reversible Door Hinge: ..... Yes  
 Number of Adjustable Shelves in fridge compartment (Stck): ..... 5  
 Shelves for Bottles: ..... No  
 EAN code: ..... 4242005331871  
 Brand: ..... Bosch  
 Product name / Commercial code: ..... KIR41AFF0G  
 Product category: ..... Refrigerator  
 Frost free system: .....No  
 Installation type: .....Integrated  
 Included accessories: ..... 2 x egg tray

**Included accessories**

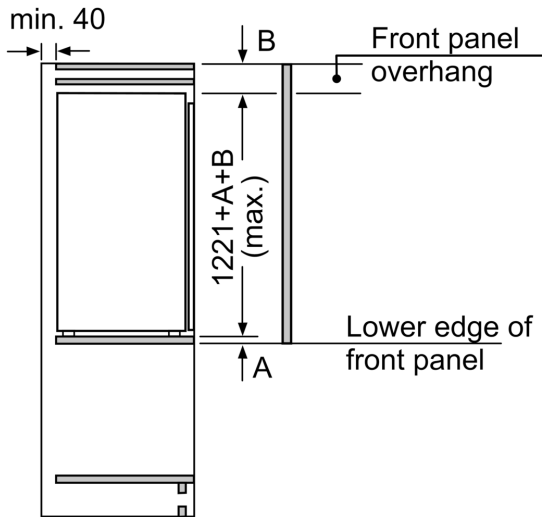
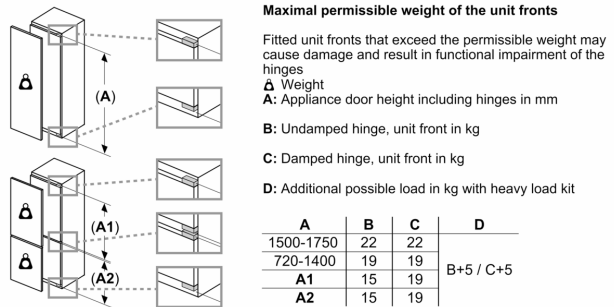
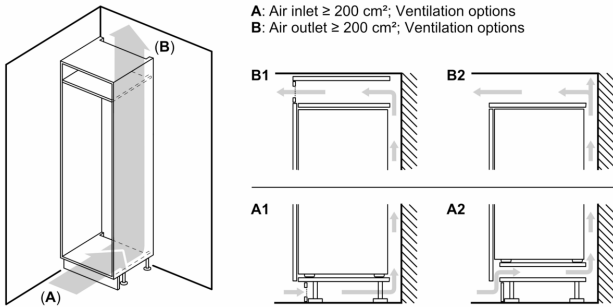
2 x egg tray

**Optional accessories**

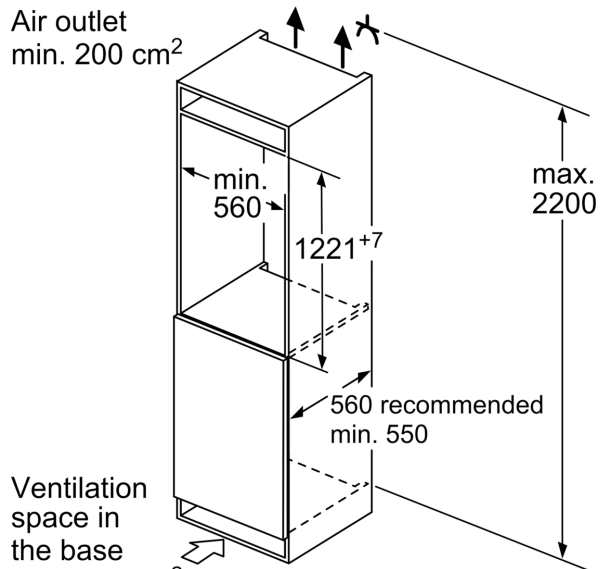
- KFZ40AX0 Door panel with decor frame
- KFZ40SX0 Stainless steel door panel
- KSZ10020 Bottle Rack
- KSZGGM00 Butter box



**Series 6, Built-in fridge, 122.5 x 56 cm, flat hinge  
KIR41AFF0G**

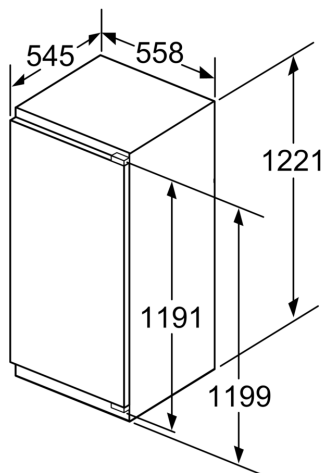


measurements in mm

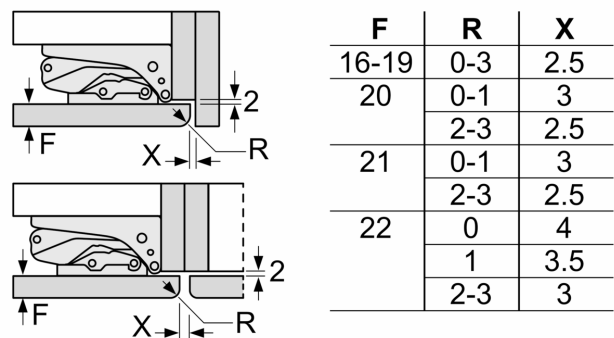


measurements in mm

measurements in mm  
Recommended gap dimensions for flat hinges



measurements in mm



The gap dimensions recommended in the table must be adhered to in order to ensure that appliance doors do not collide with anything when they are opened, and to avoid causing damage to kitchen units.