

**Series 4, Built-in fridge, 88 x 56 cm,
flat hinge
KIR21VFE0G**



3 x egg tray, 1 x bottle support

- KFZ20AX0 Door panel with decor frame
- KFZ20SX0 Stainless steel door panel
- KSZB6R00 Bottle Rack
- KSZGGM00 Butter box

**The spacious built-in fridge with Multi Box
XXL drawer for fruit and vegetables and
high stability door trays provides optimal
food storage.**

- **Eco Airflow:** maintains optimal air circulation and a constant temperature level throughout the cooling area.
- **LED lighting:** all your items in perfect view.
- **Super Cool function:** cools new food faster, to protect what is already inside.

Energy Efficiency Class:	E
Average annual energy consumption in kilowatt hour per year (kWh/a):	92 kWh/annum
Sum of volume of frozen compartments:	0 l
Sum of volume of chill compartments:	136 l
Airborne acoustical noise emissions :	35 dB(A) re 1pW
Airborne acoustical noise emission class:	B
Built-in / Free-standing:	Built-in
Door panel options:	Possible but accessory
Height:	874 mm
Width of the appliance:	541 mm
Depth:	548 mm
Required niche size for installation (HxWxD):	880 x 560 x 550 mm
Net weight:	30.5 kg
Door hinge:	Other
Voltage:	220-240 V
Frequency:	50 Hz
Length electrical supply cord:	230.0 cm
Number of compressors:	1
Number of independent cooling systems:	1
Interior ventilator:	No
Reversible Door Hinge:	No
Number of Adjustable Shelves in fridge compartment:	2
Shelves for Bottles:	Yes
EAN code:	4242005331420
Brand:	Bosch
Product name / Commercial code:	KIR21VFE0G
Product category:	Refrigerator
Frost free system:	No
Installation typology:	Integrated
Included accessories:	3 x egg tray, 1 x bottle support



Series 4, Built-in fridge, 88 x 56 cm, flat hinge KIR21VFE0G

**The spacious built-in fridge with Multi Box
XXL drawer for fruit and vegetables and
high stability door trays provides optimal
food storage.**

- Built-in fridge
- easy installation
- Fixed hinge, soft closing door: No

Performance and Consumption

- EU19_EEK_D: E
- Total Volume : 136 l
- Net Fridge Volume : 136 l
- Annual Energy Consumption: 92 kWh/a
- Climate Class: SN-ST
- EU19_Fast freezer facility_D

Functions

- Bright interior LED fridge light in fridge section

Design features

- Super Cooling: automatic deactivation

Design features

- 3 safety glass shelves in fridge compartment of which 2 are height adjustable
- 1 removable door storage compartments.
- 2 door bins

Freshness System

- 1 MultiBox - Transparent drawer with a rippled bottom, ideal for storing fruits and vegetables.

Dimension and installation

- Dimensions: 87.4 cm H x 54.1 cm W x 54.8 cm D
- Niche Dimensions: 88 cm H x 56 cm W x 55 cm D

Key features - Fridge section

- Length of power cord: 230 cm
- 220 - 240 V

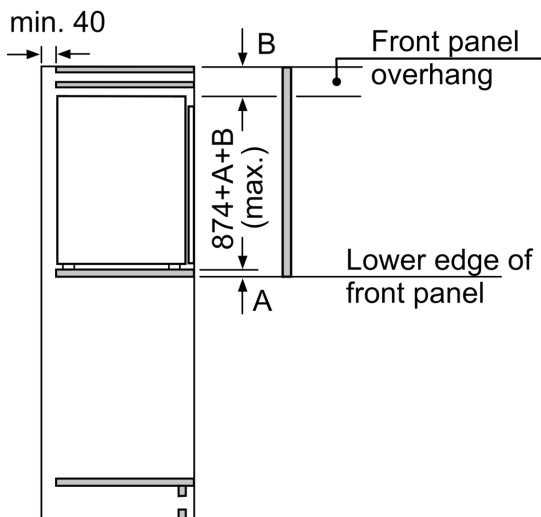
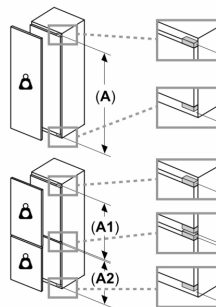
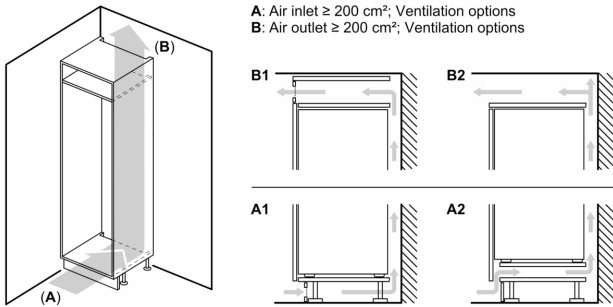
Key features - Freezer section

- 3 x egg tray, bottle support

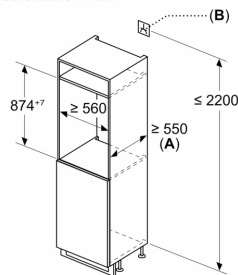
Country Specific Options

- Based on the results of the standard 24-hour test. Actual consumption depends on usage/position of the appliance.

**Series 4, Built-in fridge, 88 x 56 cm,
flat hinge
KIR21VFE0G**



Measurements in mm



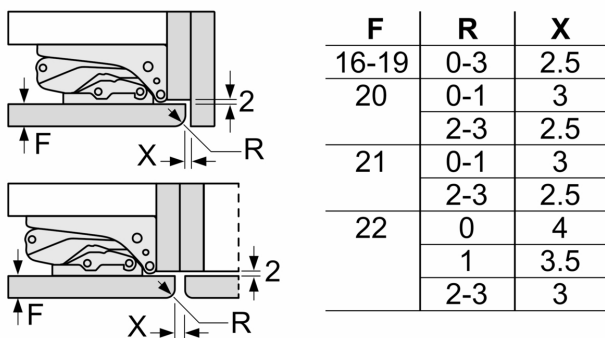
A: $\geq 560 \text{ mm}$ (recommended)

B: Socket

measurements in mm

measurements in mm

Recommended gap dimensions for flat hinges



The gap dimensions recommended in the table must be adhered to in order to ensure that appliance doors do not collide with anything when they are opened, and to avoid causing damage to kitchen units.