

**Series 2, Built-in fridge, 88 x 56 cm,
sliding hinge
KIR21NSE0**



KSZB6R00 Bottle Rack
KSZGGM00 Butter box

**The spacious built-in fridge with Multi Box
XXL drawer for fruit and vegetables and
Super Cooling function provides optimal
food storage.**

- **MultiBox XXL:** extra-large drawer for your fruit and vegetables.
- **Quiet appliances:** enjoy a calm and relaxing home.
- **Eco Airflow:** maintains optimal air circulation and a constant temperature level throughout the cooling area.
- **LED lighting:** all your items in perfect view.
- **Super Cool function:** cools new food faster, to protect what is already inside.

Energy Efficiency Class: E
 Average annual energy consumption in kilowatt hour per year
 (kWh/a): 92 kWh/annum
 Sum of volume of frozen compartments: 0 l
 Sum of volume of chill compartments: 136 l
 Airborne acoustical noise emissions : 35 dB(A) re 1pW
 Airborne acoustical noise emission class: B
 Built-in / Free-standing: Built-in
 Door panel options: Not possible
 Height: 874 mm
 Width of the appliance: 541 mm
 Depth: 548 mm
 Required niche size for installation (HxWxD): 880 x 560 x 550 mm
 Net weight: 28.6 kg
 Fuse protection: 10 A
 Door hinge: Right reversible
 Voltage: 220-240 V
 Frequency: 50 Hz
 Length electrical supply cord: 230.0 cm
 Number of compressors: 1
 Number of independent cooling systems: 1
 Interior ventilator: No
 Reversible Door Hinge: Yes
 Number of Adjustable Shelves in fridge compartment: 2
 Shelves for Bottles: No
 EAN code: 4242005330119
 Brand: Bosch
 Product name / Commercial code: KIR21NSE0
 Product category: Refrigerator
 Frost free system: No
 Installation typology: Integrated



Series 2, Built-in fridge, 88 x 56 cm, sliding hinge KIR21NSE0

Additional features

The spacious built-in fridge with Multi Box XXL drawer for fruit and vegetables and Super Cooling function provides optimal food storage.

- Built-in fridge
- Sliding hinge
- easy Installation

Performance and Consumption

- EU19_EEK_D: E
- Total Volume : 136 l
- Net Fridge Volume : 136 l
- Net Freezer Volume : 0 l
- Annual Energy Consumption: 92 kWh/a
- Climate Class: SN-ST
- Noise Level : 35 dB , EU19_Noise emission class_D: B

Functions

- Bright interior LED fridge light
- Easy clean interior
- Sliding hinge

Design features

- LED electronic control
- 1 compressor
- Automatic defrost fridge
- Super Cooling: automatic deactivation

Design features

- 3 safety glass shelves in fridge compartment of which 2 are height adjustable
- 1 removable door storage compartments.
- 2 door bins

Freshness System

- 1 MultiBox - Transparent drawer with a rippled bottom, ideal for storing fruits and vegetables.

Dimension and installation

- Dimensions: 87.4 cm H x 54.1 cm W x 54.8 cm D
- Niche Dimensions: 88 cm H x 56 cm W x 55 cm D

Key features - Fridge section

- Right hinged door, door reversible
- Length of power cord: 230 cm
- 220 - 240 V

Key features - Freezer section

- KIR21NSE0

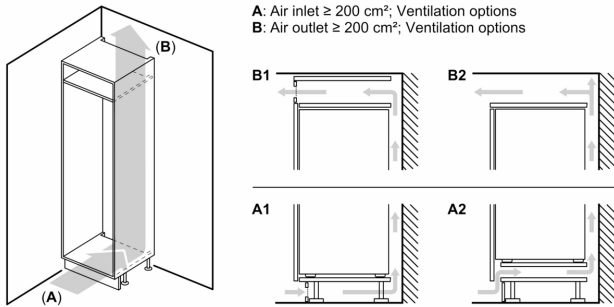
Country Specific Options

- Based on the results of the standard 24-hour test. Actual consumption depends on usage/position of the appliance.

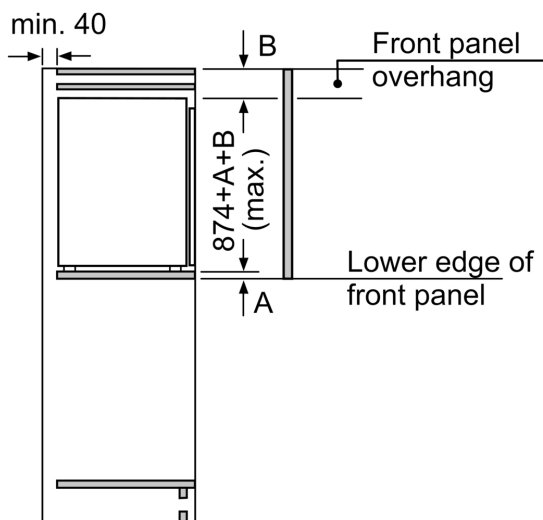
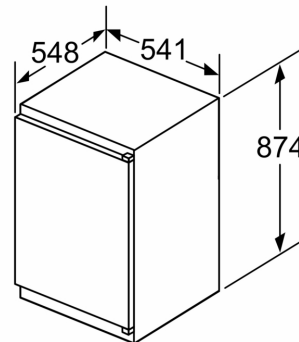
Design features

Dimension and installation

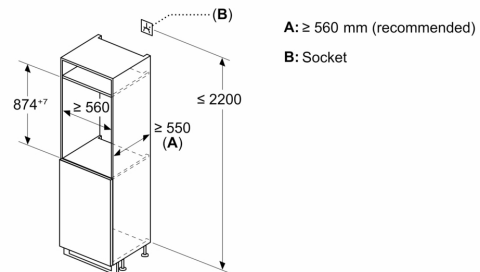
**Series 2, Built-in fridge, 88 x 56 cm,
sliding hinge
KIR21NSE0**



Measurements in mm



Measurements in mm



measurements in mm