

**Serie | 2, Built-in fridge, 88 x 56 cm  
KIR18V60****Included accessories**

1 x egg tray

**A++****The refrigerator comes with a MultiBox with rippled base: protects your fruits and vegetables - cools very efficiently.**

- LED lights bring a completely new lighting concept to fridges
- The egg rack keeps your eggs safe

**Technical Data**

Construction type : Built-in  
Door panel options : Not possible  
Height : 874 mm  
Width of the appliance : 541 mm  
Depth of the product : 542 mm  
Required niche size for installation (HxWxD) : 880 x 560 x 550 mm  
Net weight : 33.119 kg  
Connection rating : 90 W  
Fuse protection : 10 A  
Door hinge : Right reversible  
Voltage : 220-240 V  
Frequency : 50 Hz  
Approval certificates : CE, VDE  
Length of electrical supply cord : 230 cm  
Number of compressors : 1  
Number of independent cooling systems : 1  
Interior ventilator : No  
Reversible Door Hinge : Yes  
Number of Adjustable Shelves in fridge compartment (Stck) : 3  
Shelves for Bottles : No  
EAN code : 4242002693361  
Brand : Bosch  
Product name / Commercial code : KIR18V60  
Product category : Refrigerator  
Energy consumption annual - NEW (2010/30/EC) : 96.00 kWh/annum  
Refrigerator Net capacity - NEW (2010/30/EC) : 150 l  
Freezer Net capacity - NEW (2010/30/EC) : 0 l  
Frost free system : No  
Freezing capacity) - NEW (2010/30/EC) : 0 kg/24h  
Noise level : 37 dB(A) re 1 pW  
Climate class : SN-ST  
Installation type : Full-integrated



4 242002 693361

## Serie | 2, Built-in fridge, 88 x 56 cm KIR18V60

**The refrigerator comes with a MultiBox with rippled base: protects your fruits and vegetables - cools very efficiently.**

---

### **Performance and Consumption**

- Energy Efficiency Class: A++
- Energy Efficiency Class: A++ kWh/yr: 0.262 kWh
- Total net capacity: 150 l litres
- Noise level dB(A) re 1 pW: 37

### **Design features**

- Right hinged door, door reversible
- Fixed hinge
- Mechanical control
- Bright interior LED fridge light
- Removable magnetic door seals - easy to clean
- 1 compressor

### **Food freshness system**

- 1 MultiBox - Transparent drawer with a rippled bottom, ideal for storing fruits and vegetables.

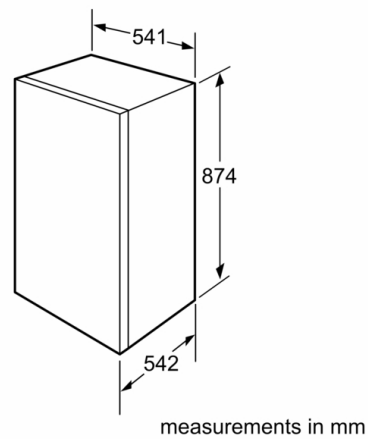
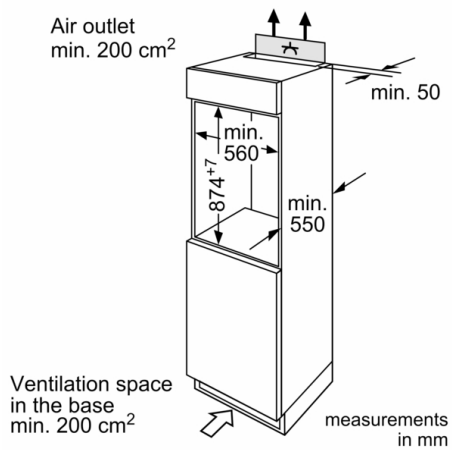
### **Key features - Fridge section**

- 4 safety glass shelves in fridge compartment of which 3 are height adjustable
- 4 removable door storage compartments.

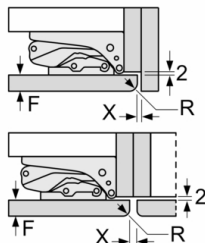
### **Dimension and installation**

- Ventilation in plinth, the plinth size can be varied
- Climate class SN-ST (suitable for ambient temperatures between 10 to 38°C)
- Connection value 90 W
- Dimensions: 87.4 cm H x 54.1 cm W x 54.2 cm D
- Niche Dimensions: 88 cm H x 56 cm W x 55 cm D
- without

## Serie | 2, Built-in fridge, 88 x 56 cm KIR18V60



measurements in mm  
Recommended gap dimensions for flat hinges



	F	R	X
16-19	0-3	2.5	
	20	0-1	3
21	2-3	2.5	
	0-1	3	
22	2-3	2.5	
	0	4	
	1	3.5	
	2-3	3	

The gap dimensions recommended in the table must be adhered to in order to ensure that appliance doors do not collide with anything when they are opened, and to avoid causing damage to kitchen units.