

**Series 2, Built-in fridge-freezer with freezer at bottom, 193.5 x 54.1 cm, sliding hinge
KIN96NSE0G**



KSZB6R00 Bottle Rack
KSZGGM00 Butter box

The extra large built-in fridge freezer with 12% more cooling volume including Multi Box XXL drawer for fruit and vegetables, No Frost and error warning signal for optimal storage.

- **Built-in XL:** get 11% extra volume of storage thanks to a taller design.
- **MultiBox XXL:** extra-large drawer for your fruit and vegetables.
- **No Frost:** never defrost again, thanks to perfect protection from ice formation - that saves time and effort.
- **Eco Airflow:** maintains optimal air circulation and a constant temperature level throughout the cooling area.
- **LED lighting:** all your items in perfect view.

Energy Efficiency Class:	E
Average annual energy consumption in kilowatt hour per year (kWh/a):	231 kWh/annum
Sum of volume of frozen compartments:	75 l
Sum of volume of chill compartments:	215 l
Airborne acoustical noise emissions :	34 dB(A) re 1pW
Airborne acoustical noise emission class:	B
Built-in / Free-standing:	Built-in
Door panel options:	Not possible
Height:	1935 mm
Width of the appliance:	541 mm
Depth:	548 mm
Min. required niche size for installation (HxWxD): ..	1940 x 560 x 550 mm
Net weight:	53.7 kg
Fuse protection:	10 A
Door hinge:	Right reversible
Voltage:	220-240 V
Frequency:	50 Hz
Length electrical supply cord:	230.0 cm
Number of compressors:	1
Number of independent cooling systems:	2
Interior ventilator:	No
Reversible Door Hinge:	Yes
Number of Adjustable Shelves in fridge compartment:	4
Shelves for Bottles:	No
No Frost free system:	Freezer
Installation typology:	Integrated



Series 2, Built-in fridge-freezer with freezer at bottom, 193.5 x 54.1 cm, sliding hinge KIN96NSE0G

The extra large built-in fridge freezer with 12% more cooling volume including Multi Box XXL drawer for fruit and vegetables, No Frost and error warning signal for optimal storage.

- 3 x egg tray, 1 x ice cube tray

Country Specific Options

- Based on the results of the standard 24-hour test. Actual consumption depends on usage/position of the appliance.

Design features

Dimension and installation

Additional features

- none

-
- NoFrost freezer, Built-in fridge-freezer
 - Sliding hinge, softClosing door: No

Performance and Consumption

- EU19_EEK_D: E
- Total Volume : 290 l
- Annual Energy Consumption: 231 kWh/a
- Noise Level : 34 dB , EU19_Noise emission class_D: B

Functions

- Bright interior LED fridge light in fridge section
- Built-in fridge-freezer

Design features

- NO_FROST_NEU_BL, never have to defrost ever again
- EU19_Fast freezer facility_D
- Separate, electronic temperature control with LED display
- Super Cooling: automatic deactivation
- Optical and accoustical
- Automatic defrost fridge

Design features

- Net Fridge Volume : 215 l
- 5 safety glass shelves in fridge compartment of which 4 are height adjustable
- Door shelves in fridge door: 1 large and 3 small.

Freshness System

- 1 MultiBox - Transparent drawer with a rippled bottom, ideal for storing fruits and vegetables.

Food freshness system

- Net Freezer Volume : 75 l
- Freezing capacity 24h : 7.5 kg
- Temperature rise time : EU19_Temperature rise time_D: 10 H
- 3 freezer drawers

Dimension and installation

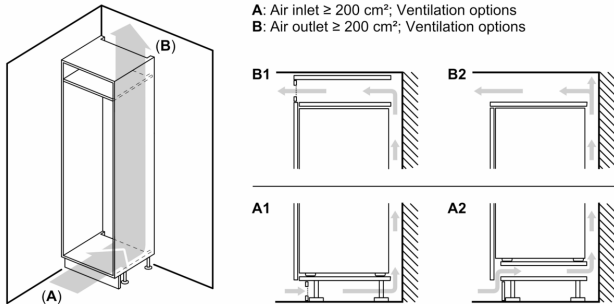
- Dimensions: 193.5 cm H x 54.1 cm W x 54.8 cm D
- Niche Dimensions: 194 cm H x 56 cm W x 55 cm D

Key features - Fridge section

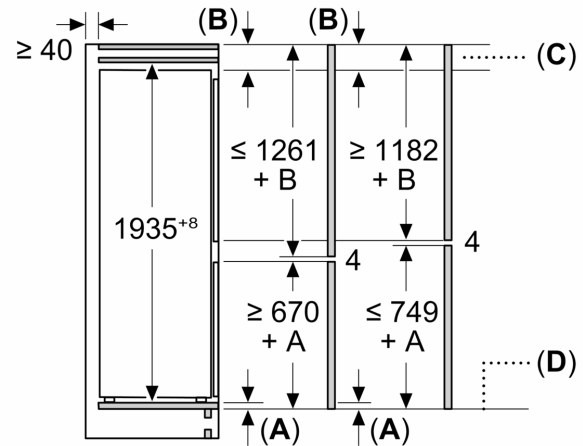
- Right hinged door, door reversible
- Height adjustable front feet
- Length of power cord: 230 cm
- Climate Class: SN-ST
- 220 - 240 V

Key features - Freezer section

**Series 2, Built-in fridge-freezer with
freezer at bottom, 193.5 x 54.1 cm,
sliding hinge
KIN96NSE0G**



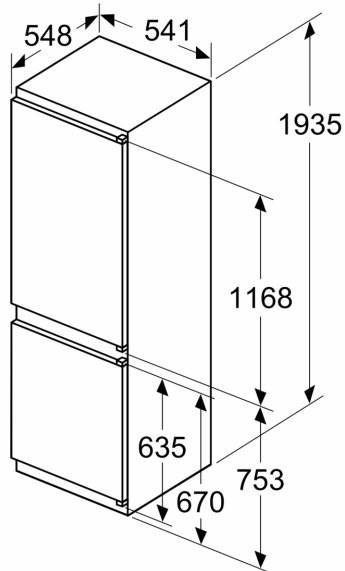
Measurements in mm



C: Front panel overhang

D: Lower edge of front panel

Measurements in mm



Measurements in mm

