

Series 6, Built-in fridge-freezer with freezer at bottom, 177.2 x 55.8 cm, soft close flat hinge KIN86ADD0G



The spacious built-in fridge-freezer with VitaFresh XXL near <math>0^{\circ}>, No Frost and constant temperature level keeps your food fresh for longer.

- **VitaFresh XXL Pro near 0°C:** climate-controlled compartments lock in freshness and nutrients for longer.
- **NoFrost:** never defrost again, thanks to perfect protection from ice formation - that saves time and effort.
- **High-stability door trays:** more height means more flexible space and stability.
- **LED lighting:** all your items in perfect view.
- **Eco Airflow:** maintains optimal air circulation and a constant temperature level throughout the cooling area.

Technical Data

Energy Efficiency Class:	D
Average annual energy consumption in kilowatt hour per year (kWh/a):	186 kWh/annum
Sum of volume of frozen compartments:	76 l
Sum of volume of chill compartments:	184 l
Airborne acoustical noise emissions :	35 dB(A) re 1 pW
Airborne acoustical noise emission class:	B
Built-in / Free-standing:	Built-in
Door panel options:	Possible but accessory
Height:	1772 mm
Width of the appliance:	558 mm
Depth:	548 mm
Min. required niche size for installation (HxWxD):	1775.0 x 560 x 550 mm
Net weight:	58.0 kg
Fuse protection:	10 A
Door hinge:	Right reversible
Voltage:	220-240 V
Frequency:	50 Hz
Length electrical supply cord:	230.0 cm
Number of compressors:	1
Number of independent cooling systems:	2
Interior ventilator:	No
Reversible Door Hinge:	Yes
Number of Adjustable Shelves in fridge compartment:	2
Shelves for Bottles:	Yes
Frost free system:	Freezer
Installation typology:	Integrated



Optional accessories

KSZGGM00 Butter box



Series 6, Built-in fridge-freezer with freezer at bottom, 177.2 x 55.8 cm, soft close flat hinge KIN86ADD0G

The spacious built-in fridge-freezer with VitaFresh XXL near 0°, No Frost and constant temperature level keeps your food fresh for longer.

- Built-in fridge-freezer
- easy Installation
- Fixed hinge, SoftClosing Door - dampens door movement, for smooth and effortless closure

Performance and Consumption

- EU19_EEK_D: D
- Total Volume : 260 l
- Net Fridge Volume : 184 l
- Net Freezer Volume : 76 l
- Freezing capacity 24h : 8 kg
- Annual Energy Consumption: 186 kWh/a
- Climate Class: SN-ST
- EU19_Fast freezer facility_D
- Noise Level : 35 dB , EU19_Noise emission class_D: B
- Temperature rise time : EU19_Temperature rise time_D: 11 H

Functions

- Bright interior LED fridge light in fridge section

Design features

- NO_FROST_NEU_BL, never have to defrost ever again
- Separate, electronic temperature control with LED display
- Super Cooling: automatic deactivation
- Two separate cooling circuits allow independent temperature control and prevents the transference of humidity between the fridge and freezer cavity
- Optical and accoustical
- VarioZone - adaptable storage for more flexibility

Key features - Fridge section

- 4 safety glass shelves in fridge compartment of which 2 are height adjustable
- 1 removable door storage compartments.
- 3 door bins
- 1 dairy compartment in door
- Metal bottle rack
- Door shelves in fridge door: 1 large and 1 small.

Food freshness system

Freshness System


- 1 VitaFresh drawer with humidity control - Fruits and vegetables retain vitamins and stay fresh for longer
- 3 freezer drawers

Dimension and installation

- Dimensions: 177.2 cm H x 55.8 cm W x 54.8 cm D
- Niche Dimensions: 177.5 cm H x 56 cm W x 55 cm D
- Right hinged door, door reversible
- Height adjustable front feet
- 220 - 240 V
- Length of power cord: 230 cm

Key features - Freezer section

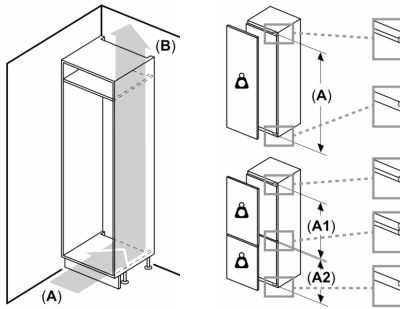
- SuperFreezing function with automatic deactivation
- 1 x ice cube tray, 3 x egg tray



- Based on the results of the standard 24-hour test. Actual consumption depends on usage/position of the appliance.

Additional features

**Series 6, Built-in fridge-freezer with
freezer at bottom, 177.2 x 55.8 cm,
soft close flat hinge
KIN86ADD0G**

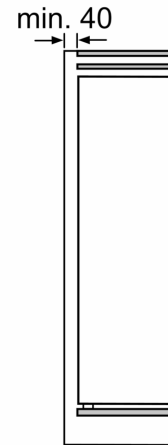


Measurement



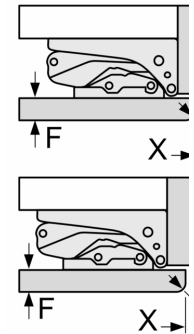
Air outlet
min. 200 cm²

Ventilation
space
in the base
min. 200 cm²



The specified
are valid for ε

measurement
Recommend



The gap dime
in the table m
to ensure that
collide with ai
and to avoid c