

**Serie | 6, Built-in fridge-freezer with freezer at bottom, 177.2 x 55.8 cm, flat hinge  
KIN85AF30G**



**A++**

**The bottom freezer with VitaFresh plus drawer: keeps your fruit and vegetables fresher for longer.**

- LED lights bring a completely new lighting concept to fridges
- **VarioZone:** more flexibility due to variable-use glass shelves and drawers in the freezer compartment.
- **BigBox frozen food drawer:** for stacking storage containers or for large frozen food items.
- **EasyAccess Shelf:** pull-out glass shelf gives you better access to the contents of your fridge.
- **VarioShelf:** space for bottles and bowls with sectioned glass shelves that can be separated and slid underneath.

**Technical Data**

Construction type : Built-in  
 Door panel options : Not possible  
 Width of the appliance : 558 mm  
 Depth of the product : 545 mm  
 Required niche size for installation (HxWxD) : 1775.0 x 560 x 550 mm  
 Net weight : 69.186 kg  
 Connection rating : 90 W  
 Fuse protection : 13 A  
 Door hinge : Right reversible  
 Voltage : 220-240 V  
 Frequency : 50 Hz  
 Approval certificates : CE, G-Mark, VDE  
 Length of electrical supply cord : 230 cm  
 Storage Period in Event of Power Failure (h) : 13 h  
 Number of compressors : 1  
 Number of independent cooling systems : 2  
 Interior ventilator : No  
 Reversible Door Hinge : Yes  
 Number of Adjustable Shelves in fridge compartment (Stck) : 3  
 Shelves for Bottles : No  
 EAN code : 4242002721675  
 Brand : Bosch  
 Product name / Commercial code : KIN85AF30G  
 Energy consumption annual - NEW (2010/30/EC) : 232.00 kWh/annum  
 Refrigerator Net capacity - NEW (2010/30/EC) : 154 l  
 Freezer Net capacity - NEW (2010/30/EC) : 92 l  
 Frost free system : Freezer  
 Freezing capacity) - NEW (2010/30/EC) : 9 kg/24h  
 Climate class : SN-ST  
 Noise level : 39 dB(A) re 1 pW  
 Installation type : Full-integrated



**Included accessories**

2 x cold accumulator  
 2 x egg tray  
 1 x ice cube tray

**Optional accessories**

KSZ10020 : Bottle Rack



4 242002 721675

## **Serie | 6, Built-in fridge-freezer with freezer at bottom, 177.2 x 55.8 cm, flat hinge KIN85AF30G**

**The bottom freezer with VitaFresh plus drawer: keeps your fruit and vegetables fresher for longer.**

### **Dimension and installation**

- Connection value 90 W
- Dimensions: 177.2 cm H x 55.8 cm W x 54.5 cm D
- Niche Dimensions: 177.5 cm H x 56 cm W x 55 cm D
- Climate class SN-ST (suitable for ambient temperatures between 10 to 38°C)

---

### **Performance and Consumption**

- Energy Efficiency Class: A++
- Energy Efficiency Class: A++ kWh/yr: 0.635 kWh
- Total net capacity: 246 l litres
- Net fridge capacity: 154 litres
- Net freezer capacity: 92 litres
- Noise level dB(A) re 1 pW: 39

### **Design features**

- Automatic defrost freezer
- Right hinged door, door reversible
- Electronic control for fridge and freezer with LED display
- Removable magnetic door seals - easy to clean

### **Food freshness system**

- 1 VitaFresh Plus drawer with humidity control. Fruit and vegetables retain vitamins and last longer.
- FreshSense - Constant temperature control by intelligent sensor technology
- Two separate cooling circuits allow independent temperature control and prevents the transference of humidity between the fridge and freezer cavity

### **Key features - Fridge section**

- Automatic defrost fridge
- Bright interior LED fridge light
- 4 safety glass shelves in fridge compartment of which 3 are height adjustable
- Super Cooling: automatic deactivation

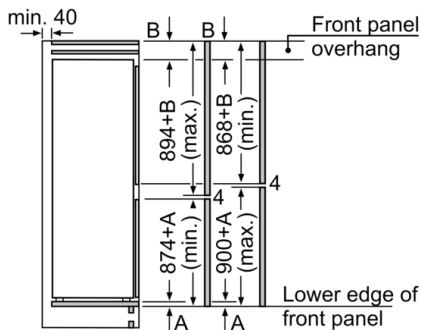
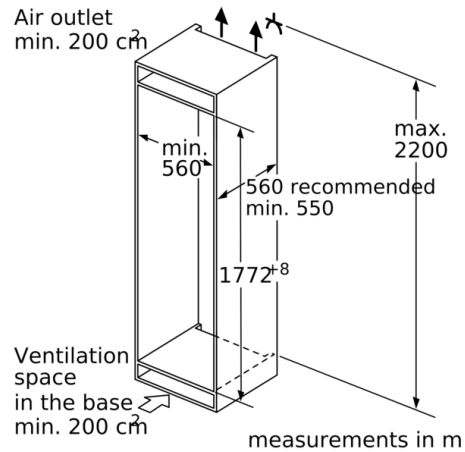
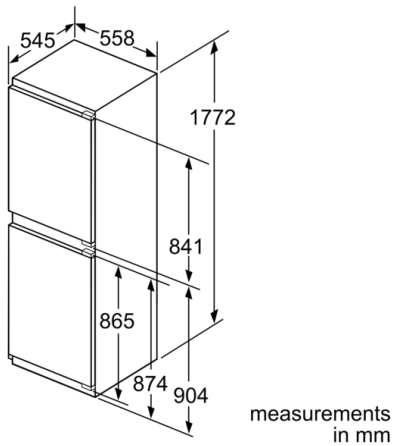
### **Key features - Freezer section**

- NoFrost freezer
- 4 star freezer rating
- 4 freezer drawers
- Freezing capacity in 24 hours: 9 kg
- Maximum freezer storage time in power failure: 13 hours

### **Functions**

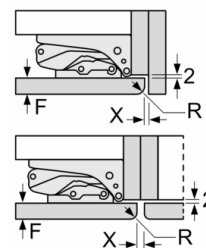
- Freezer malfunction warning signal: optical and accoustical
- SuperFreezing function with automatic deactivation
- Optical and acoustical door open warning

**Serie | 6, Built-in fridge-freezer with freezer at bottom, 177.2 x 55.8 cm, flat hinge KIN85AF30G**



The specified unit door dimensions are valid for a door gap of 4 mm.  
measurements in mm

measurements in mm  
Recommended gap dimensions for flat hinges



F	R	X
16-19	0-3	2.5
20	0-1	3
	2-3	2.5
21	0-1	3
	2-3	2.5
22	0	4
	1	3.5
	2-3	3

The gap dimensions recommended in the table must be adhered to in order to ensure that appliance doors do not collide with anything when they are opened, and to avoid causing damage to kitchen units.