

Series 4, Built-in fridge with freezer section, 177.5 x 56 cm, flat hinge KIL82VFE0G



The built-in fridge with extra-large ** freezer compartment, Multi Box XXL drawer for fruit and vegetables and Door Alarm provides ideal storage.**

- **High-stability door trays:** more height means more flexible space and stability.
- **LED lighting:** all your items in perfect view.
- **Super Cool function:** cools new food faster, to protect what is already inside.

Technical Data

Energy Efficiency Class:	E
Average annual energy consumption in kilowatt hour per year (kWh/a):	177 kWh/annum
Sum of volume of frozen compartments:	34 l
Sum of volume of chill compartments:	246 l
Airborne acoustical noise emissions :	35 dB(A) re 1 pW
Airborne acoustical noise emission class:	B
Built-in / Free-standing:	Built-in
Door panel options:	Not possible
Height:	1772 mm
Width of the appliance:	541 mm
Depth:	548 mm
Min. required niche size for installation (HxWxD):	1775.0 x 560 x 550 mm
Net weight:	56.1 kg
Fuse protection:	10 A
Door hinge:	Right reversible
Voltage:	220-240 V
Frequency:	50 Hz
Length electrical supply cord:	230.0 cm
Number of compressors:	1
Number of independent cooling systems:	1
Interior ventilator:	Yes
Reversible Door Hinge:	Yes
Number of Adjustable Shelves in fridge compartment:	4
Shelves for Bottles:	Yes
EAN code:	4242005382989
Brand:	Bosch
Product name / Commercial code:	KIL82VFE0G
Product category:	Refrigerator
Frost free system:	No
Installation typology:	Integrated
Included accessories: ..	3 x egg tray, 1 x ice cube tray, 1 x Heavy-duty hinge support



Included accessories

3 x egg tray, 1 x ice cube tray, 1 x Heavy-duty hinge support

Optional accessories

KSZGGM00 Butter box



Series 4, Built-in fridge with freezer section, 177.5 x 56 cm, flat hinge KIL82VFE0G

The built-in fridge with extra-large ** freezer compartment, Multi Box XXL drawer for fruit and vegetables and Door Alarm provides ideal storage.**

- Fixed hinge, softClosing door: No

Performance and Consumption

- EU19_EEK_D: E
- Total Volume : 280 l
- Annual Energy Consumption: 177 kWh/a
- Noise Level : 35 dB , EU19_Noise emission class_D: B

Functions

- Bright interior LED fridge light in fridge section
- Built-in fridge

Design features

- EU19_Fast freezer facility_D
- LED electronic control
- 1 compressor
- Super Cooling: automatic deactivation
- Optical and accoustical
- Automatic defrost fridge

Design features

- Net Fridge Volume : 246 l
- 6 safety glass shelves in fridge compartment of which 4 are height adjustable
- 5 door bins
- Metal bottle rack

Freshness System

- 2 MultiBox drawers

Food freshness system

- Net Freezer Volume : 34 l
- Freezing capacity 24h : 2.5 kg
- Temperature rise time : EU19_Temperature rise time_D: 18 H
- Ice box
- Ice cube tray
- 1 hinged freezer compartment
- none

Dimension and installation

- Dimensions: 177.2 cm H x 54.1 cm W x 54.8 cm D
- Niche Dimensions: 177.5 cm H x 56 cm W x 55 cm D

Key features - Fridge section

- Right hinged door, door reversible
- Height adjustable front feet
- Length of power cord:230 cm
- Climate Class: SN-ST
- 220 - 240 V

Key features - Freezer section

- Heavy-duty hinge support, 3 x egg tray, 1 x ice cube tray

Country Specific Options

- Based on the results of the standard 24-hour test. Actual consumption depends on usage/position of the appliance.

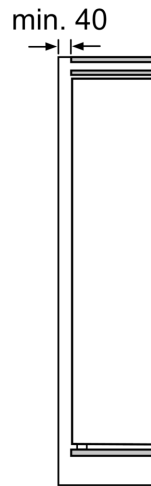
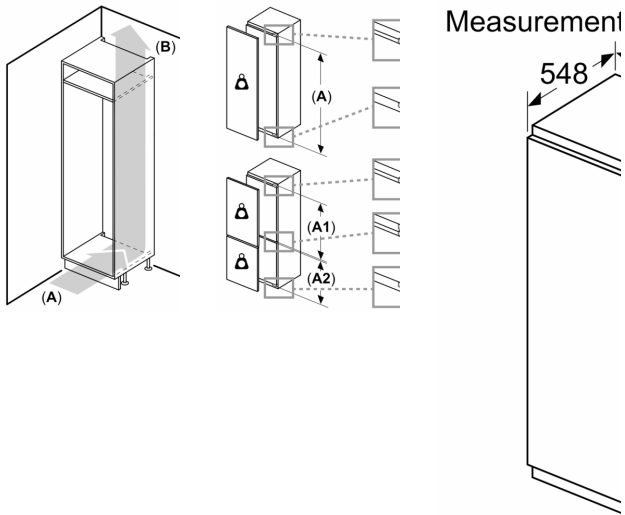
Design features

Dimension and installation



Additional features

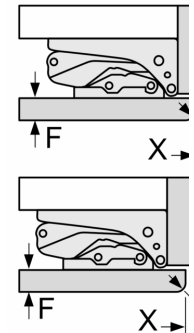
**Series 4, Built-in fridge with freezer
section, 177.5 x 56 cm, flat hinge
KIL82VFE0G**



Air outlet
min. 200 cm²

Ventilation
space
in the base
min. 200 cm²

measurement
Recommend



The gap dime
in the table m
to ensure that
collide with ai
and to avoid c