

Series 2, Built-in fridge with freezer section, 177.5 x 56 cm, sliding hinge KIL82NSE0G



3 x egg tray, 1 x ice cube tray

KSZB6R00 Bottle Rack
KSZGGM00 Butter box

The built-in fridge with extra-large ** freezer compartment, Multi Box XXL drawer for fruit and vegetables and Door Alarm provides ideal storage.**

- **LED Lighting:** all your items in perfect view.
- **Super Cool function:** cools new food faster, to protect what is already inside.
- **Safety Glass Shelves:** safely store food in your fridge with stable, shatterproof glass shelves.

Energy Efficiency Class: E
 Average annual energy consumption in kilowatt hour per year (kWh/a): 177 kWh/annum
 Sum of volume of frozen compartments: 34 l
 Sum of volume of chill compartments: 246 l
 Airborne acoustical noise emissions :35 dB(A) re 1 pW
 Airborne acoustical noise emission class:B
 Built-in / Free-standing: Built-in
 Door panel options: Not possible
 Height: 1772 mm
 Width of the appliance: 541 mm
 Depth: 548 mm
 Min. required niche size for installation (HxWxD): 1775.0 x 560 x 550 mm
 Net weight: 54.6 kg
 Fuse protection: 10 A
 Door hinge: Right reversible
 Voltage: 220-240 V
 Frequency: 50 Hz
 Length electrical supply cord: 230.0 cm
 Number of compressors: 1
 Number of independent cooling systems: 1
 Interior ventilator: Yes
 Reversible Door Hinge: Yes
 Number of Adjustable Shelves in fridge compartment: 4
 Shelves for Bottles: No
 EAN code: 4242005386635
 Brand: Bosch
 Product name / Commercial code: KIL82NSE0G
 Product category: Refrigerator
 Frost free system: No
 Installation typology: Integrated
 Included accessories: 3 x egg tray, 1 x ice cube tray



Series 2, Built-in fridge with freezer section, 177.5 x 56 cm, sliding hinge KIL82NSE0G

The built-in fridge with extra-large ** freezer compartment, Multi Box XXL drawer for fruit and vegetables and Door Alarm provides ideal storage.**

- 3 x egg tray, 1 x ice cube tray

Country Specific Options

- Based on the results of the standard 24-hour test. Actual consumption depends on usage/position of the appliance.

Design features

Dimension and installation

Additional features

- Sliding hinge, softClosing door: No

Performance and Consumption

- EU19_EEK_D: E
- Total Volume : 280 l
- Annual Energy Consumption: 177 kWh/a
- Noise Level : 35 dB , EU19_Noise emission class_D: B

Functions

- Bright interior LED fridge light in fridge section
- Built-in fridge

Design features

- NO_FROST_NEU_BL, never have to defrost ever again
- EU19_Fast freezer facility_D
- LED electronic control
- 1 compressor
- Super Cooling: automatic deactivation
- Optical and accoustical
- Automatic defrost fridge

Design features

- Net Fridge Volume : 246 l
- 6 safety glass shelves in fridge compartment of which 4 are height adjustable
- 5 door bins

Freshness System

- 2 MultiBox drawers

Food freshness system

- Net Freezer Volume : 34 l
- Freezing capacity 24h : 2.5 kg
- Temperature rise time : EU19_Temperature rise time_D: 18 H
- Ice box
- Ice cube tray
- 1 hinged freezer compartment
- none

Dimension and installation

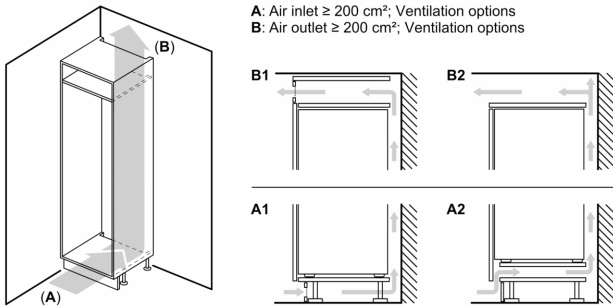
- Dimensions: 177.2 cm H x 54.1 cm W x 54.8 cm D
- Niche Dimensions: 177.5 cm H x 56 cm W x 55 cm D

Key features - Fridge section

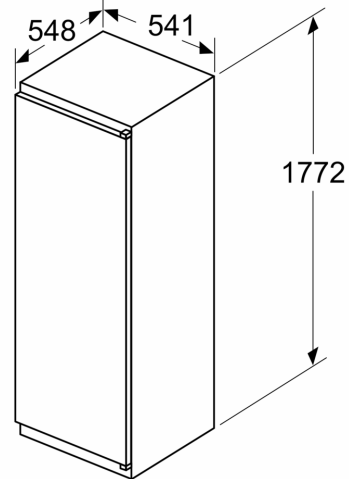
- Right hinged door, door reversible
- Height adjustable front feet
- Length of power cord:230 cm
- Climate Class: SN-ST
- 220 - 240 V

Key features - Freezer section

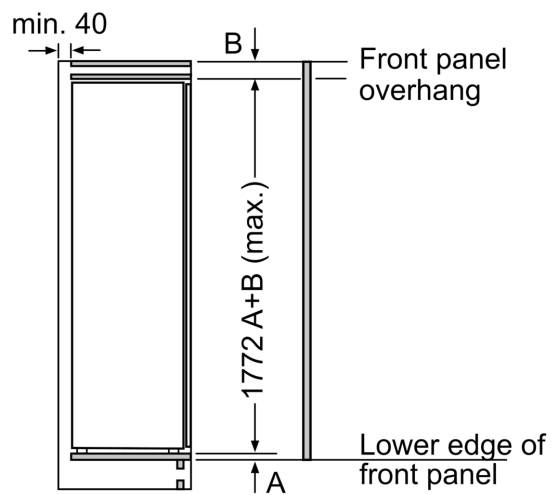
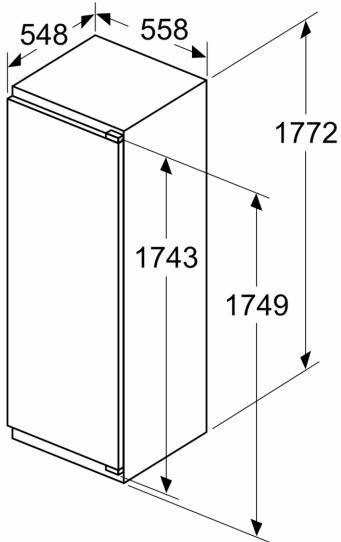
Series 2, Built-in fridge with freezer section, 177.5 x 56 cm, sliding hinge KIL82NSE0G



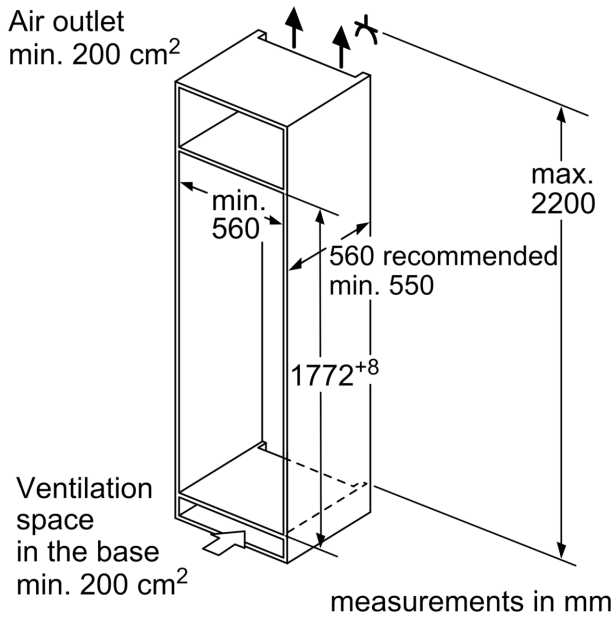
Measurements in mm



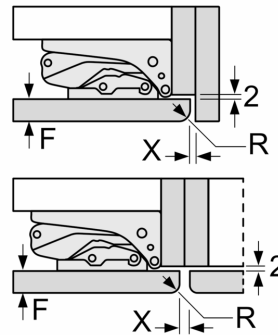
Measurements in mm



measurements in mm



measurements in mm
Recommended gap dimensions for flat hinges



F	R	X
16-19	0-3	2.5
20	0-1	3
	2-3	2.5
21	0-1	3
	2-3	2.5
22	0	4
	1	3.5
	2-3	3

The gap dimensions recommended in the table must be adhered to in order to ensure that appliance doors do not collide with anything when they are opened, and to avoid causing damage to kitchen units.