

**Serie | 6, Built-in fridge with freezer section, 177.5 x 56 cm, flat hinge
KIL82AF30G**



A++

The refrigerator with VitaFresh plus Box and TouchControl: keeps your food fresher for longer

- LED lights bring a completely new lighting concept to fridges
- **EasyAccess Shelf:** pull-out glass shelf gives you better access to the contents of your fridge.
- **VarioShelf:** space for bottles and bowls with sectioned glass shelves that can be separated and slid underneath.
- **SuperCooling:** cools new food placed inside faster, thus protecting already cooled food.
- An audible alarm system signals the door is open

Technical Data

Construction type : Built-in
 Door panel options : Not possible
 Height : 1772 mm
 Width of the appliance : 558 mm
 Depth of the product : 545 mm
 Required niche size for installation (HxWxD) : 1775.0 x 560 x 550 mm
 Net weight : 67.349 kg
 Connection rating : 90 W
 Fuse protection : 13 A
 Door hinge : Right reversible
 Voltage : 220-240 V
 Frequency : 50 Hz
 Approval certificates : CE, G-Mark, VDE
 Length of electrical supply cord : 230 cm
 Storage Period in Event of Power Failure (h) : 22 h
 Number of compressors : 1
 Number of independent cooling systems : 1
 Interior ventilator : No
 Reversible Door Hinge : Yes
 Number of Adjustable Shelves in fridge compartment (Stck) : 4
 Shelves for Bottles : No
 EAN code : 4242002734934
 Brand : Bosch
 Product name / Commercial code : KIL82AF30G
 Product category : Refrigerator
 Energy consumption annual - NEW (2010/30/EC) : 209.00 kWh/annum
 Refrigerator Net capacity - NEW (2010/30/EC) : 252 l
 Freezer Net capacity - NEW (2010/30/EC) : 34 l
 Frost free system : No
 Freezing capacity) - NEW (2010/30/EC) : 3 kg/24h
 Noise level : 36 dB(A) re 1 pW
 Climate class : SN-ST
 Installation type : Full-integrated



Included accessories

2 x egg tray
 1 x ice cube tray

Optional accessories

KSZ10020 : Bottle Rack



**Serie | 6, Built-in fridge with freezer section,
177.5 x 56 cm, flat hinge
KIL82AF30G**

**The refrigerator with VitaFresh plus Box and
TouchControl: keeps your food fresher for
longer**

Dimension and installation

- Climate class SN-ST (suitable for ambient temperatures between 10 to 38°C)
- Connection value 90 W
- Dimensions: 177.2 cm H x 55.8 cm W x 54.5 cm D
- Niche Dimensions: 177.5 cm H x 56 cm W x 55 cm D

Performance and Consumption

- Energy Efficiency Class: A++
- Energy Efficiency Class: A++ kWh/yr: 0.572 kWh
- Total net capacity: 286 l litres
- Net fridge capacity: 252 litres
- Noise level dB(A) re 1 pW: 36

Design features

- Right hinged door, door reversible
- Bright interior LED fridge light
- Electronic LED display
- 1 compressor

Food freshness system

- FreshSense - Constant temperature control by intelligent sensor technology

Key features - Fridge section

- 5 removable safety glass shelves of which 4 are easy pull out
- 5 door trays, including 1x dairy compartment
- VitaFresh Plus container on telescopic rails with humidity control for prolonged food storage,
1 MultiBox drawer on telescopic rails - Transparent drawer with a corrugated bottom, ideal for storing fruits and vegetables.
- 2 removable door storage compartments.
- Bright interior LED fridge light

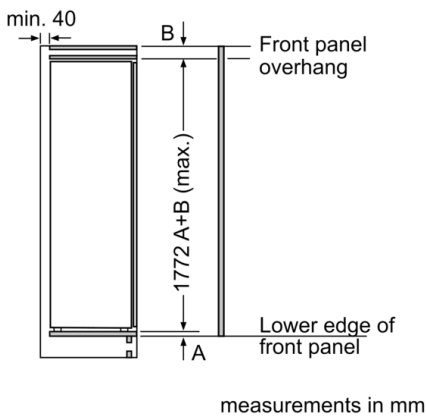
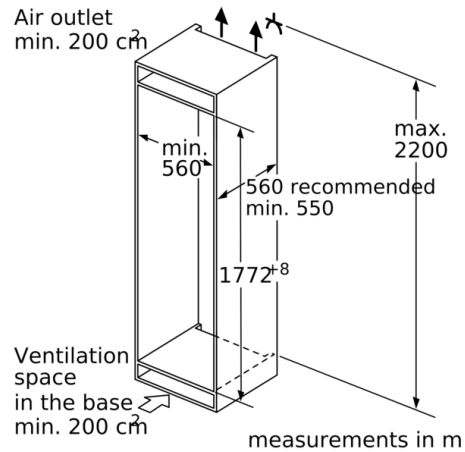
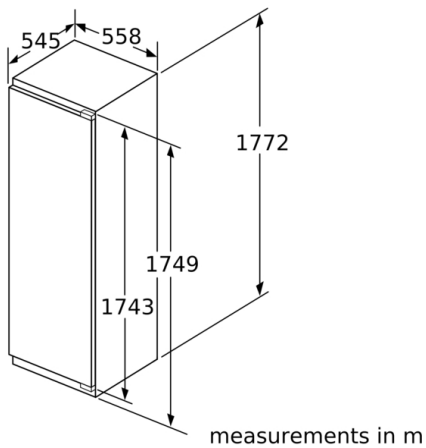
Key features - Freezer section

- 1 hinged freezer compartment
- Manual defrost freezer
- 4 star freezer rating
- **** freezer (-18°C and below)
- Freezing capacity in 24 hours: 3 kg
- Maximum freezer storage time in power failure: 22 hours

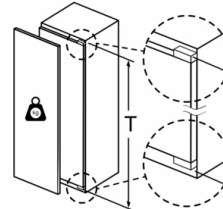
Functions

- Optical and acoustical door open warning

**Serie | 6, Built-in fridge with freezer section,
177.5 x 56 cm, flat hinge
KIL82AF30G**



Maximal permissible weight of the unit fronts



Fitted kitchen unit doors that exceed the permissible weight may cause damage and result in functional impairment of the hinges.

Hinges in mm:	undamped hinge, Door in kg:	damped hinge, Door in kg:
1500-1750	22	22

measurements in mm
Recommended gap dimensions for flat hinges

F	R	X
16-19	0-3	2.5
20	0-1	3
21	2-3	2.5
	0-1	3
22	2-3	2.5
	0	4
	1	3.5
	2-3	3

The gap dimensions recommended in the table must be adhered to in order to ensure that appliance doors do not collide with anything when they are opened, and to avoid causing damage to kitchen units.