

Series 2, Built-in fridge with freezer section, 122.5 x 56 cm, sliding hinge KIL42NSE0G



3 x egg tray, 1 x ice cube tray

KSZB6R00 Bottle Rack
KSZGGM00 Butter box

The spacious built-in fridge with Multi Box XXL drawer for fruit and vegetables, ** freezer compartment and Super Cooling function provides optimal food storage.**

- **Eco Airflow:** maintains optimal air circulation and a constant temperature level throughout the cooling area.
- **LED lighting:** all your items in perfect view.

Energy Efficiency Class:	E
Average annual energy consumption in kilowatt hour per year (kWh/a):	147 kWh/annum
Sum of volume of frozen compartments:	15 l
Sum of volume of chill compartments:	172 l
Airborne acoustical noise emissions :	35 dB(A) re 1pW
Airborne acoustical noise emission class:	B
Built-in / Free-standing:	Built-in
Door panel options:	Not possible
Height:	1221 mm
Width of the appliance:	541 mm
Depth:	548 mm
Min. required niche size for installation (HxWxD):	1225.0 x 560 x 550 mm
Net weight:	43.5 kg
Fuse protection:	10 A
Door hinge:	Right reversible
Voltage:	220-240 V
Frequency:	50 Hz
Length electrical supply cord:	230.0 cm
Number of compressors:	1
Number of independent cooling systems:	1
Interior ventilator:	No
Reversible Door Hinge:	Yes
Number of Adjustable Shelves in fridge compartment:	3
Shelves for Bottles:	No
EAN code:	4242005328666
Brand:	Bosch
Product name / Commercial code:	KIL42NSE0G
Product category:	Refrigerator
Frost free system:	No
Installation typology:	Integrated
Included accessories:	3 x egg tray, 1 x ice cube tray



Series 2, Built-in fridge with freezer section, 122.5 x 56 cm, sliding hinge KIL42NSE0G

The spacious built-in fridge with Multi Box XXL drawer for fruit and vegetables, ** freezer compartment and Super Cooling function provides optimal food storage.**

Performance and Consumption

- EU19_EEK_D: E
- Total Volume : 187 l
- Net Fridge Volume : 172 l
- Net Freezer Volume : 15 l
- Freezing capacity 24h : 3 kg
- Annual Energy Consumption: 147 kWh/a
- Climate Class: SN-ST
- EU19_Fast freezer facility_D
- Noise Level : 35 dB , EU19_Noise emission class_D: B
- Temperature rise time : EU19_Temperature rise time_D: 10 H

Functions

- no handle
- Bright interior LED fridge light in fridge section

Design features

- 4 safety glass shelves of which 3 are height adjustable
- Door shelves in fridge door: 1 large and 3 small.
- LED electronic control
- 1 compressor
- Super Cooling: automatic deactivation
- Optical and acoustical door open warning

Freshness System

- 1 MultiBox - Transparent drawer with a rippled bottom, ideal for storing fruits and vegetables.

Food freshness system

- 1 hinged freezer compartment

Dimension and installation

- Dimensions: 122.1 cm H x 54.1 cm W x 54.8 cm D
- Height adjustable front feet
- 220 - 240 V
- Right hinged door, door reversible

Key features - Fridge section

- 3 x egg tray, 1 x ice cube tray

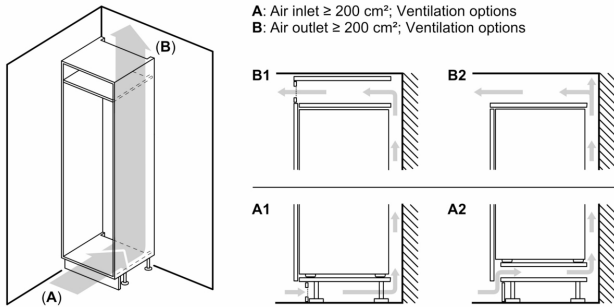
Additional features

- White glossy back wall
- 4 safety glass shelves (3 height adjustable)

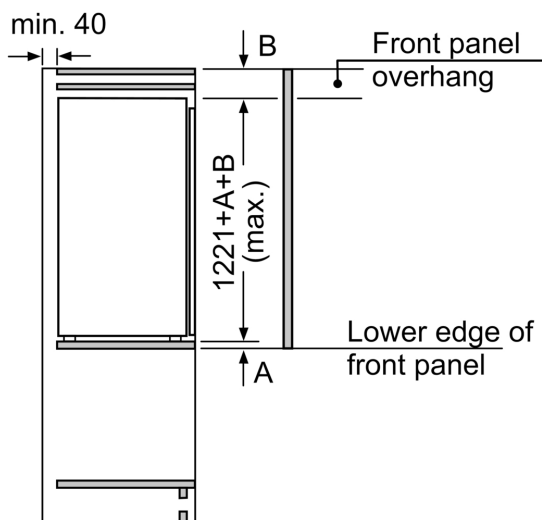
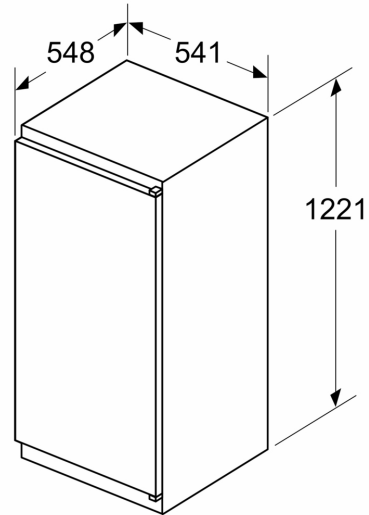
Country Specific Options

- Based on the results of the standard 24-hour test. Actual consumption depends on usage/position of the appliance.

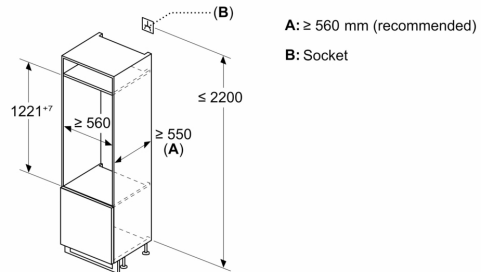
Series 2, Built-in fridge with freezer section, 122.5 x 56 cm, sliding hinge KIL42NSE0G



Measurements in mm



Measurements in mm



measurements in mm