

Series 8, Built-in fridge-freezer with freezer at bottom, 177.2 x 55.8 cm, flat hinge KIF86PFE0



Built-in bottom freezer combination with VitaFresh pro: thanks to ideal storage conditions your food stays vitamin-rich and fresher for longer.

- **VitaFresh pro:** keeps food fresh for longer thanks to optimal climate control and +0°C technology.
- LED lights bring a completely new lighting concept to fridges
- **VarioZone:** more flexibility due to variable-use glass shelves and drawers in the freezer compartment.
- **Automatic Super Freezing function:** optimal for freezing smaller food load faster whilst protecting your frozen items from defrosting, thanks to the detection of temperature increase and the automatic decrease of temperature
- **Big Box drawer:** for stacking storage containers or for large frozen food items.

Technical Data

Energy Efficiency Class: E
 Average annual energy consumption in kilowatt hour per year (kWh/a): 252 kWh/annum
 Sum of volume of frozen compartments: 67 l
 Sum of volume of chill compartments: 156 l
 Airborne acoustical noise emissions : 36 dB(A) re 1 pW
 Airborne acoustical noise emission class: C
 Construction type: Built-in
 Door panel options: Not possible
 Height: 1772 mm
 Width of the appliance: 558 mm
 Depth of the product: 545 mm
 Min. required niche size for installation (HxWxD): 1775.0 x 560 x 550 mm
 Net weight: 69.7 kg
 Connection rating: 90 W
 Fuse protection: 10 A
 Door hinge: Right reversible
 Voltage: 220-240 V
 Frequency: 50 Hz
 Length of electrical supply cord: 230 cm
 Number of compressors: 1
 Number of independent cooling systems: 2
 Interior ventilator: No
 Reversible Door Hinge: Yes
 Number of Adjustable Shelves in fridge compartment (Stck): 2
 Shelves for Bottles: No
 Frost free system: Freezer
 Installation type: Full-integrated
 Type of hinge: Flush-folding

Included accessories

3 x egg tray
 1 x ice cube tray
 1 x bottle holder in door tray

Optional accessories

KSZ10020 : Bottle Rack



Series 8, Built-in fridge-freezer with freezer at bottom, 177.2 x 55.8 cm, flat hinge KIF86PFE0

Built-in bottom freezer combination with VitaFresh pro: thanks to ideal storage conditions your food stays vitamin-rich and fresher for longer.

- easy Installation

Functions

- Electronic control for fridge and freezer with LED display

Design features

- NoFrost freezer, never have to defrost ever again
- Two separate cooling circuits allow independent temperature control and prevents the transference of humidity between the fridge and freezer cavity
- Optical and acoustical door open warning

Food freshness system

- FreshSense - Constant temperature control by intelligent sensor technology
- Deli Drawer
1 VitaFresh pro 0°C drawer with humidity control - fruits and vegetables stay vitamin-rich and fresher for longer.
- Vario Zone - removable safety glass shelves for extra space!

Key features - Fridge section

- Bright interior LED fridge light
- Holiday mode
- Super Cooling: automatic deactivation
- 2 door trays, including 1x dairy compartment
- 3 safety glass shelves (2 height adjustable)

Key features - Freezer section

- 3 transparent freezer drawers, including 1 BigBox
- 3 x egg tray, 1 x ice cube tray, .
- Based on the results of the standard 24-hour test. Actual consumption depends on usage/position of the appliance.

Dimension and installation

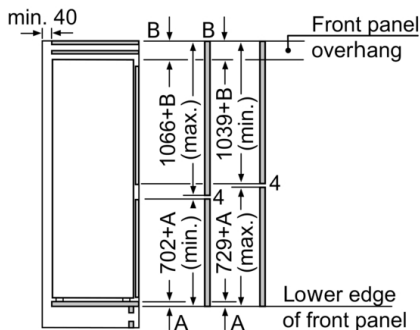
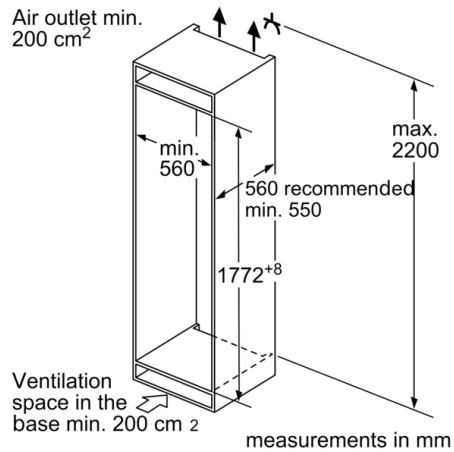
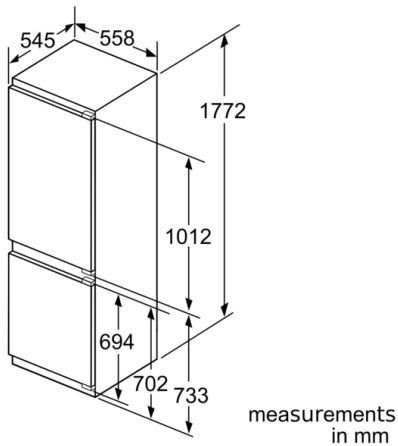
- Niche Dimensions: 177.5 cm H x 56 cm W x 55 cm D
- Dimensions: 177.2 cm H x 55.8 cm W x 54.5 cm D
- Right hinged door, door reversible
- Connection value 90 W
- 220 - 240 V

Additional features

Performance and Consumption

- EU19_EEK_D: E
- Total Volume : 223 l
- Net Fridge Volume : 156 l
- Net Freezer Volume : 67 l
- Freezing capacity 24h : 7 kg
- Annual Energy Consumption: 252 kWh/a
- Climate Class: SN-ST
- Noise Level : 36 dB , EU19_Noise emission class_D: C
- Temperature rise time : EU19_Temperature rise time_D: 8 H

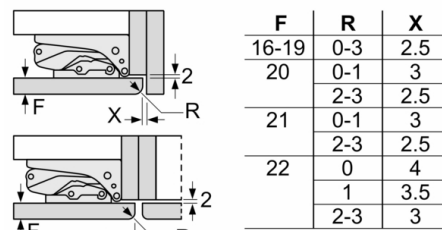
Series 8, Built-in fridge-freezer with freezer at bottom, 177.2 x 55.8 cm, flat hinge KIF86PFE0



The specified unit door dimensions are valid for a door gap of 4 mm.

measurements in mm

measurements in mm
Recommended gap dimensions for flat hinges



The gap dimensions recommended in the table must be adhered to in order to ensure that appliance doors do not collide with anything when they are opened, and to avoid causing damage to kitchen units.

