

**Serie | 8, Built-in fridge, 177.5 x 56 cm, flat hinge
KIF81PF30**



A++

The Built-in refrigerator with VitaFresh pro: thanks to 0°C technology and optimal humidity levels, your food stays vitamin-rich and fresher for longer

- **VitaFresh pro 0°C:** keeps fruit, vegetables, fish and meat fresh fresher for longer – thanks to 0°C technology and optimal humidity
- LED lights bring a completely new lighting concept to fridges
- **EasyAccess Shelf:** pull-out glass shelf gives you better access to the contents of your fridge.
- **VarioShelf:** space for bottles and bowls with sectioned glass shelves that can be separated and slid underneath.
- **SuperCooling:** cools new food placed inside faster, thus protecting already cooled food.

Technical Data

Construction type : Built-in
 Door panel options : Not possible
 Height : 1772 mm
 Width of the appliance : 558 mm
 Depth of the product : 545 mm
 Required niche size for installation (HxWxD) : 1775.0 x 560 x 550 mm
 Net weight : 70.290 kg
 Connection rating : 90 W
 Fuse protection : 10 A
 Door hinge : Right reversible
 Voltage : 220-240 V
 Frequency : 50 Hz
 Approval certificates : CE
 Length of electrical supply cord : 230 cm
 Number of compressors : 1
 Number of independent cooling systems : 1
 Interior ventilator : No
 Reversible Door Hinge : Yes
 Number of Adjustable Shelves in fridge compartment (Stck) : 6
 Shelves for Bottles : No
 EAN code : 4242005108893
 Brand : Bosch
 Product name / Commercial code : KIF81PF30
 Product category : Refrigerator
 Energy consumption annual - NEW (2010/30/EC) : 132.00 kWh/annum
 Refrigerator Net capacity - NEW (2010/30/EC) : 289 l
 Freezer Net capacity - NEW (2010/30/EC) : 0 l
 Frost free system : No
 Freezing capacity) - NEW (2010/30/EC) : 0 kg/24h
 Noise level : 37 dB(A) re 1 pW
 Climate class : SN-T
 Installation type : Full-integrated



Included accessories

3 x egg tray
 1 x bottle holder in door tray



Serie | 8, Built-in fridge, 177.5 x 56 cm, flat hinge KIF81PF30

The Built-in refrigerator with VitaFresh pro: thanks to 0°C technology and optimal humidity levels, your food stays vitamin-rich and fresher for longer

Performance and Consumption

- Energy Efficiency Class: A++
- Total net capacity: 289 l litres
- Net fridge capacity: 206 litres
- Capacity in 0° C section: 83 l
- Noise level dB(A) re 1 pW: 37

Design features

- Right hinged door, door reversible
- Fixed hinge
- Bright interior LED fridge light
- Electronic LED display
- 1 compressor

Food freshness system

- FreshSense - Constant temperature control by intelligent sensor technology
- 1 VitaFresh pro 0°C drawer with humidity control - fruits and vegetables stay vitamin-rich and fresher for longer.
- 2 VitaFresh pro 0°C drawers - Fish and meat stay vitamin-rich and fresher for longer.

Key features - Fridge section

- 7 removable safety glass shelves of which 6 are easy pull out
- Easy access shelf - easy access and everything in sight
- 5 door trays, including 1x dairy compartment
- Interior design with metal applications
- 1 removable door storage compartments.
- Bright interior LED fridge light

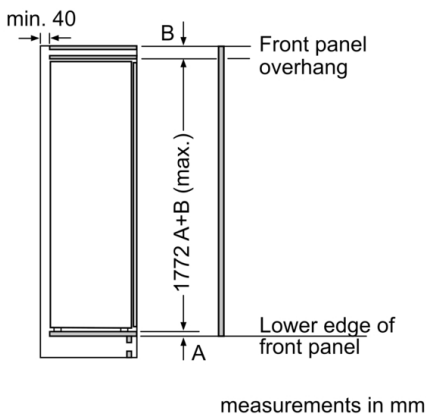
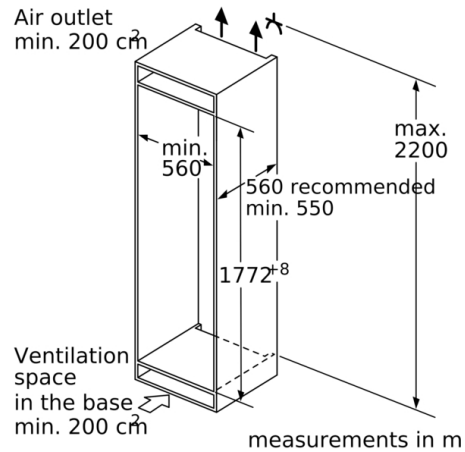
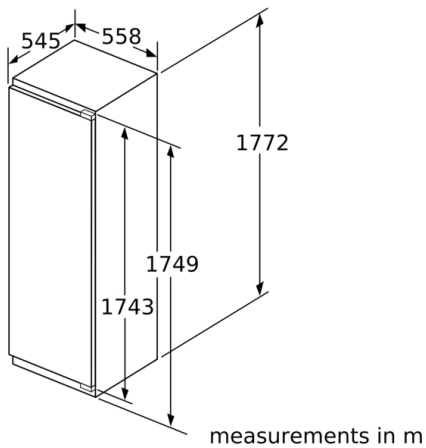
Functions

- Optical and acoustical door open warning

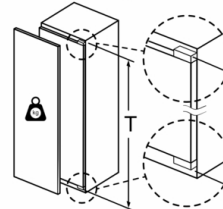
Dimension and installation

- easy Installation
- 3 x egg tray, .
- Climate class SN-T (suitable for ambient temperatures between 10 to 43°C)
- Connection value 90 W
- Dimensions: 177.2 cm H x 55.8 cm W x 54.5 cm D

**Serie | 8, Built-in fridge, 177.5 x 56 cm, flat hinge
KIF81PF30**



Maximal permissible weight of the unit fronts



Fitted kitchen unit doors that exceed the permissible weight may cause damage and result in functional impairment of the hinges.

T: Includes height of appliance door Hinges in mm:	undamped hinge, Door in kg:	damped hinge, Door in kg:
1500-1750	22	22

measurements in mm
Recommended gap dimensions for flat hinges

	F	R	X
16-19	0-3	2.5	
	20	0-1	3
21	2-3	2.5	
	21	0-1	3
22	2-3	2.5	
	22	0	4
	22	1	3.5
	2-3	3	

The gap dimensions recommended in the table must be adhered to in order to ensure that appliance doors do not collide with anything when they are opened, and to avoid causing damage to kitchen units.