

## iQ100, Built-in fridge-freezer with freezer at bottom, 177.2 x 54.1 cm, sliding hinge KI87VNSE0G



GS6BZR00	Box-in-Freezer-Box
KS6BZR00	Bottle Rack
KSGGZM00	Butter box

Built-in refrigerator-freezer with lowFrost for less defrosting effort.

- ✓ Fresh – Convenient storage for your fruit and vegetables.
- ✓ autoAirflow – Ideal air circulation for even cooling at all levels, maintaining longer freshness.
- ✓ LED light – Even lighting throughout the inside of your fridge to keep everything in view.
- ✓ safetyGlass shelves – Extra strong and easy to clean.

### Technical Specifications

Energy Efficiency Class: .....	E
Average annual energy consumption in kilowatt hour per year (kWh/a): .....	216 kWh/annum
Sum of volume of frozen compartments: .....	70 l
Sum of volume of chill compartments: .....	200 l
Airborne acoustical noise emissions : .....	35 dB(A) re 1 pW
Airborne acoustical noise emission class: .....	B
Built-in / Free-standing: .....	Built-in
Door panel options: .....	Not possible
Height: .....	1772 mm
Width of the appliance: .....	541 mm
Dimensions: .....	548 mm
Min. required niche size for installation (HxWxD): ....	1775.0 x 560 x 550 mm
Weight: .....	50.8 kg
Fuse protection: .....	10 A
Door opening: .....	Right reversible
Nominal power: .....	220-240 V
Frequency: .....	50 Hz
Length electrical supply cord: .....	230.0 cm
Number of compressors: .....	1
Number of independent cooling systems: .....	1
Interior ventilator: .....	No
Reversible Door Hinge: .....	Yes
Number of Adjustable Shelves in fridge compartment: .....	4
Shelves for Bottles: .....	No
Frost free system: .....	No
Installation type: .....	not available



## iQ100, Built-in fridge-freezer with freezer at bottom, 177.2 x 54.1 cm, sliding hinge KI87VNSE0G

- Built-in fridge-freezer combination
- easy Installation

### Performance and Consumption

- EU19\_EEK\_D: E
- Total Volume : 270 l
- Annual Energy Consumption: 216 kWh/a
- EU19\_Fast freezer facility\_D
- Noise Level : 35 dB , EU19\_Noise emission class\_D: B

### Functions

- Bright interior LED fridge light in fridge section

### Design features

- Electronic control (LED chain)
- Super Cooling: automatic deactivation
- Acoustic open door warning system

### Design features

- Net Fridge Volume : 200 l
- 5 safety glass shelves of which 4 are height adjustable
- Door shelves in fridge door: 1 large and 3 small.

### Freshness System

- 1 vegetable/salad container

### Food freshness system

- Net Freezer Volume : 70 l
- lowFrost - less ice creation and therefore quicker defrosting
- Freezing capacity 24h : 3.2 kg
- Temperature rise time : EU19\_Temperature rise time\_D: 12 H
- SuperFreeze with Manual/automatic activation
- 2 freezer drawers

### Dimension and installation

- Dimensions: 177.2 cm H x 54.1 cm W x 54.8 cm D
- Niche Dimensions: 177.5 cm H x 56 cm W x 55 cm D

### Key features - Fridge section

- Right hinged door, door reversible
- 220 - 240 V
- Length of power cord: 230 cm
- Climate Class: SN-ST

### Country Specific Options

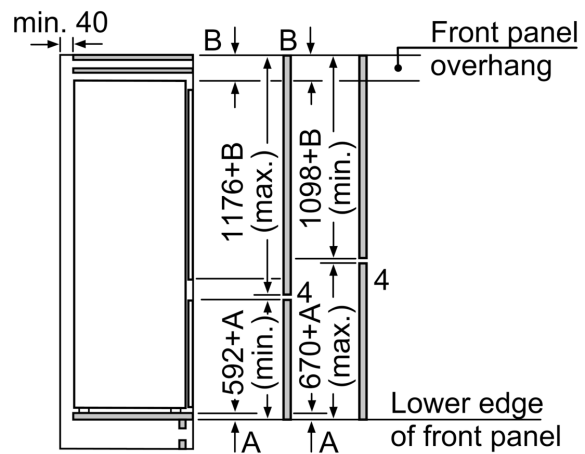
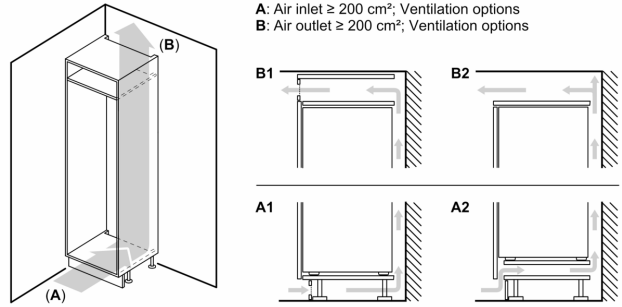
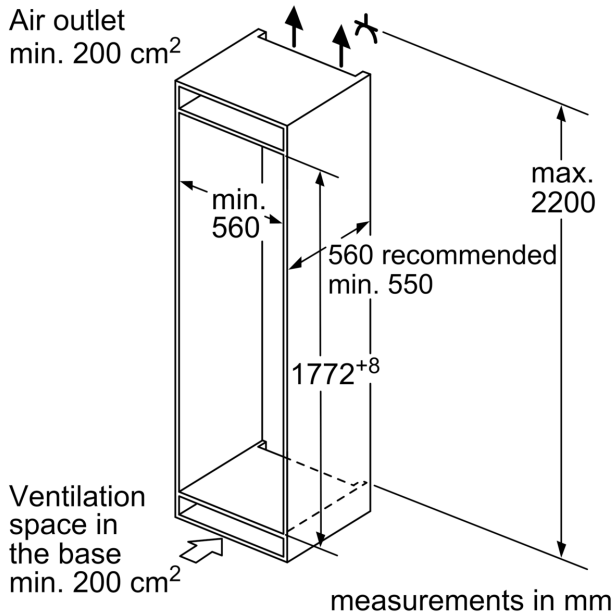
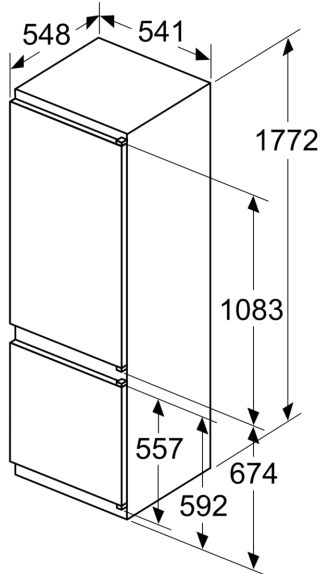
- Based on the results of the standard 24-hour test. Actual consumption depends on usage/position of the appliance.

### Key features - Freezer section

- 3 x egg tray, 2 x ice cube tray

**iQ100, Built-in fridge-freezer with freezer at bottom, 177.2 x 54.1 cm, sliding hinge KI87VNSE0G**

measurements in mm



The specified unit door dimensions are valid for a door gap of 4 mm.  
measurements in mm