

**iQ100, Built-in fridge, 177.5 x 56 cm, sliding hinge
KI81RNSE0G**



3 x egg tray	
KS6BZR00	Bottle Rack
KSGGZM00	Butter box

The spacious built-in fridge with Fresh drawer for fruit and vegetables and bright LED light provides ideal storage for all your food.

- ✓ LED light – Even lighting throughout the inside of your fridge to keep everything in view.
- ✓ superCooling: faster cooling for fresh food.
- ✓ safetyGlass shelves – Extra strong and easy to clean.

Energy Efficiency Class: E

Energy Efficiency Class:	E
Average annual energy consumption in kilowatt hour per year (kWh/a):	114 kWh/annum
Sum of volume of frozen compartments:	0 l
Sum of volume of chill compartments:	310 l
Airborne acoustical noise emissions :	35 dB(A) re 1 pW
Airborne acoustical noise emission class:	B
Built-in / Free-standing:	Built-in
Door panel options:	Not possible
Height:	1772 mm
Width of the appliance:	541 mm
Dimensions:	548 mm
Min. required niche size for installation (HxWxD):	1775.0 x 560 x 550 mm
Weight:	50.4 kg
Fuse protection:	10 A
Door opening:	Right reversible
Nominal power:	220-240 V
Frequency:	50 Hz
Length electrical supply cord:	230.0 cm
Number of compressors:	1
Number of independent cooling systems:	1
Interior ventilator:	Yes
Reversible Door Hinge:	Yes
Number of Adjustable Shelves in fridge compartment:	5
Shelves for Bottles:	No
EAN code:	4242003933138
Brand:	Siemens
Product name / Commercial code:	KI81RNSE0G
Product category:	Upright fridge
Frost free system:	No
Installation type:	Fully integrated
Included accessories:	3 x egg tray



iQ100, Built-in fridge, 177.5 x 56 cm, sliding hinge KI81RNSE0G

- Built-in fridge
- easy Installation
- Sliding hinge - Easy installation, softClosing door: No

Performance and Consumption

- EU19_EEK_D: E
- Total Volume : 310 l
- Net Fridge Volume : 310 l
- Annual Energy Consumption: 114 kWh/a
- Noise Level : 35 dB , EU19_Noise emission class_D: B

Functions

- Bright interior LED fridge light in fridge section

Design features

- Electronic control (LED chain)
- Super Cooling: automatic deactivation

Design features

- 7 safety glass shelves in fridge compartment of which 5 are height adjustable
- 2 removable door storage compartments.

Freshness System

- 2 vegetable/salad containers

Food freshness system

Dimension and installation

- Dimensions: 177.2 cm H x 54.1 cm W x 54.8 cm D
- Niche Dimensions: 177.5 cm H x 56 cm W x 55 cm D

Key features - Fridge section

- Length of power cord:230 cm
- Climate Class: SN-ST
- 220 - 240 V

Key features - Freezer section

- 3 x egg tray

Country Specific Options

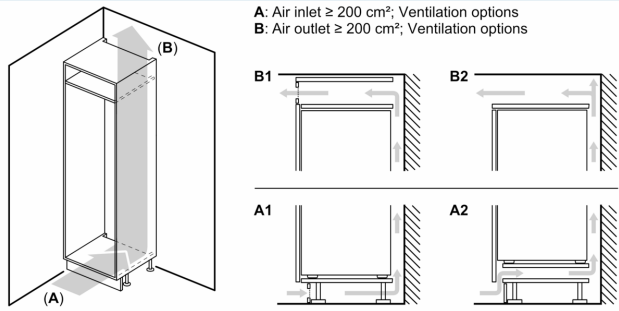
- Based on the results of the standard 24-hour test. Actual consumption depends on usage/position of the appliance.

Design features

Dimension and installation

Additional features

**iQ100, Built-in fridge, 177.5 x 56 cm, sliding hinge
KI81RNSE0G**



Measurements in mm

