

Series 4, Free-standing fridge-freezer with freezer at bottom, 203 x 70 cm, Black stainless steel KGN490XBT



The NoFrost bottomfreezer with VitaFresh and XXL Capacity: Keeps your fresh foods fresh for longer

- **VitaFresh XXL Pro near 0°C:** climate-controlled compartments lock in freshness and nutrients for longer.
- **NoFrost:** you'll never have to defrost your fridge-freezer again.
- **Glossy backwall with MultiAirflow:** evenly circulates cool, fresh air to maintain consistent temperatures.
- **Perfect Fit:** place your fridge right next to walls and other appliances to save space.
- **Automatic Super Freezing function:** optimal for freezing smaller food load faster whilst protecting your frozen items from defrosting, thanks to the detection of temperature increase and the automatic decrease of temperature

Technical Data

Energy Efficiency Class: B

Average annual energy consumption in kilowatt hour per year (kWh/a): 142 kWh/a

Sum of volume of frozen compartments: 129 l

Sum of volume of chill compartments: 311 l

Airborne acoustical noise emissions : 35 dB(A) re 1 pW

Airborne acoustical noise emission class: B

Construction type: Free-standing

Door panel options: Not possible

Height: 2030 mm

Width of the appliance: 700 mm

Depth of the product: 667 mm

Net weight: 86.5 kg

Fuse protection: 10 A

Door hinge: Right reversible

Voltage: 220-240 V

Frequency: 50 Hz

Length of electrical supply cord: 240.0 cm

Number of compressors: 1

Number of independent cooling systems: 2

Interior ventilator: No

Reversible Door Hinge: Yes

Number of Adjustable Shelves in fridge compartment (Stck): 3

Shelves for Bottles: Yes

Installation type: N/A

Included accessories

3 x egg tray
1 x ice cube tray

Optional accessories

KSZ39AL00 : Connection set inox



Series 4, Free-standing fridge-freezer with freezer at bottom, 203 x 70 cm, Black stainless steel KGN49OXB

The NoFrost bottomfreezer with VitaFresh and XXL Capacity: Keeps your fresh foods fresh for longer

- Twin No Frost (RC + FC), Fridge freezer
- Standard door black inox-antifingerprint

Performance and Consumption

- EU19_EEK_D: B
- Total Volume : 440 l
- Annual Energy Consumption: 142 kWh/a
- Noise Level : 35 dB , EU19_Noise emission class_D: B
- EU19_Fast freezer facility_D

Functions

- black inox-antifingerprint doors and cast iron side panels
- Vertical door handle
- White glossy back wall
- Bright interior LED fridge light

Design features

- Separate, electronic temperature control with LED display
- Two separate cooling circuits allow independent temperature control and prevents the transference of humidity between the fridge and freezer cavity
- Super Cooling: automatic deactivation
- Optical and acoustical
- Freezer malfunction warning signal: optical and acoustical warning system

Design features

- Net Fridge Volume : 311 l
- MultiAirflow system - improves circulation of air around the fridge
- 5 safety glass shelves of which 3 are height adjustable
- Door shelves in fridge door: 1 large and 3 small.
- Metal bottle rack

Freshness System

- 1 VitaFresh drawer - Fish and meat stay fresh for longer
- 1 VitaFresh drawer with humidity control - Fruits and vegetables retain vitamins and stay fresh for longer

Food freshness system

- Net Freezer Volume : 129 l
- Freezing capacity 24h : 11.5 kg
- Temperature rise time : EU19_Temperature rise time_D: 21 H
- 3 freezer drawers

Dimension and installation

- Dimensions: 203 cm H x 70 cm W x 66.7 cm D

Key features - Fridge section

- Right hinged door, door reversible
- Height adjustable front feet
- Length of power cord:240 cm
- Climate Class: SN-T
- 220 - 240 V

Key features - Freezer section

- 3 x egg tray, 1 x ice cube tray

Country Specific Options

- Based on the results of the standard 24-hour test. Actual consumption depends on usage/position of the appliance.

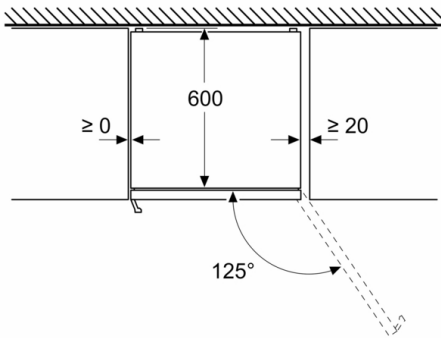
Design features

Dimension and installation

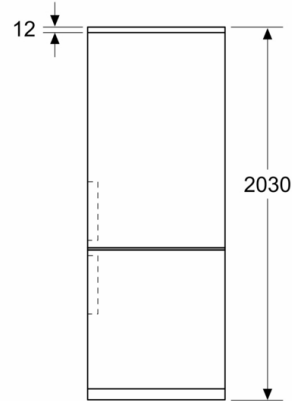
Additional features

**Series 4, Free-standing fridge-freezer with
freezer at bottom, 203 x 70 cm, Black
stainless steel
KGN490XBT**

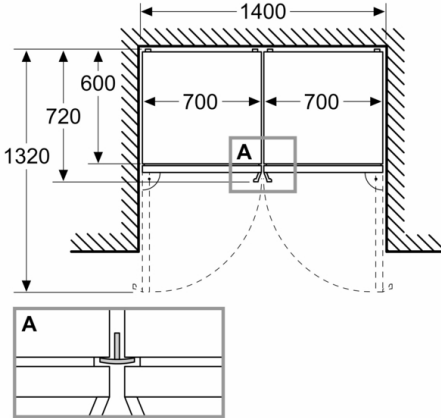
Measurements in mm



Measurements in mm



Measurements in mm



Measurements in mm

