

Series 6, Free-standing fridge-freezer with freezer at bottom, 203 x 60 cm, Stainless steel (with anti-fingerprint) KGN39AIAT



Energy Efficiency Class A fridge freezer, with VitaFresh XXL near <0°C> and No Frost for efficient and perfect cooling results under any circumstances.

- **Energy efficiency class A:** reduce energy consumption while enjoying optimal cooling performance.
- **VitaFresh XXL Pro near 0°C:** climate-controlled compartments lock in freshness and nutrients for longer.
- **Metal Backwall with Multi Airflow:** evenly circulates cool, fresh air to maintain consistent temperatures.
- **Perfect Fit:** place your fridge right next to walls or other appliances to save space.
- **Flex Interior:** customise your fridge space as you need it.

Technical Data

Energy Efficiency Class: A
Average annual energy consumption in kilowatt hour per year (kWh/a): 104 kWh/annum
Sum of volume of frozen compartments: 103 l
Sum of volume of chill compartments: 260 l
Airborne acoustical noise emissions : 29 dB(A) re 1 pW
Airborne acoustical noise emission class: A
Built-in / Free-standing: Freestanding
Door panel options: Not possible
Height: 2030 mm
Width of the appliance: 600 mm
Depth: 665 mm
Net weight: 98.9 kg
Fuse protection: 10 A
Door hinge: Right reversible
Voltage: 220-240 V
Frequency: 50 Hz
Length electrical supply cord: 210.0 cm
Number of compressors: 1
Number of independent cooling systems: 2
Interior ventilator: No
Reversible Door Hinge: Yes
Number of Adjustable Shelves in fridge compartment: 3
Shelves for Bottles: Yes
Frost free system: Fridge and freezer
Installation typology: Free-standing



Series 6, Free-standing fridge-freezer with freezer at bottom, 203 x 60 cm, Stainless steel (with anti-fingerprint) KGN39AIAT

Energy Efficiency Class A fridge freezer, with VitaFresh XXL near <0°C> and No Frost for efficient and perfect cooling results under any circumstances.

- Standard door Stainless Steel EasyClean

Performance and Consumption

- EU19_EEK_D: A
- Total Volume : 363 l
- Net Fridge Volume : 260 l
- Net Freezer Volume : 103 l
- Freezing capacity 24h : 11 kg
- Annual Energy Consumption: 104 kWh/a
- Climate Class: SN-T
- EU19_Fast freezer facility_D
- Noise Level : 29 dB , EU19_Noise emission class_D: A
- Temperature rise time : EU19_Temperature rise time_D: 21 H

Functions

- Stainless Steel EasyClean doors and Pearl grey (VZF 07127) side panels
- Vertical door handle
- Bright interior LED fridge light in fridge section

Design features

- NO_FROST_NEU_BL, never have to defrost ever again
- Separate, electronic temperature control with LED display
- Two separate cooling circuits allow independent temperature control and prevents the transference of humidity between the fridge and freezer cavity
- Super Cooling: automatic deactivation
- Optical and accoustical
- Freezer malfunction warning signal: optical and acoustical warning system

Design features

- MultiAirflow system - improves circulation of air around the fridge
- 5 safety glass shelves (3 height adjustable)
- Metal bottle rack
- Door shelves in fridge door: 1 large and 3 small.

Freshness System

- 1 VitaFresh drawer - Fish and meat stay fresh for longer
- 1 VitaFresh drawer with humidity control - Fruits and vegetables retain vitamins and stay fresh for longer

Food freshness system

- Net freezer capacity: 103 litres
- 3 freezer drawers

Dimension and installation

- Dimensions: 203 cm H x 60 cm W x 66.5 cm D

Key features - Fridge section

- Right hinged door, door reversible
- Height adjustable front feet
- 220 - 240 V
- Length of power cord:210 cm

Key features - Freezer section

- 3 x egg tray, 1 x ice cube tray

Country Specific Options

- Based on the results of the standard 24-hour test. Actual consumption depends on usage/position of the appliance.

Design features

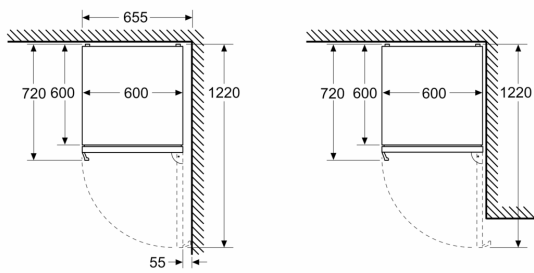
Dimension and installation

Additional features

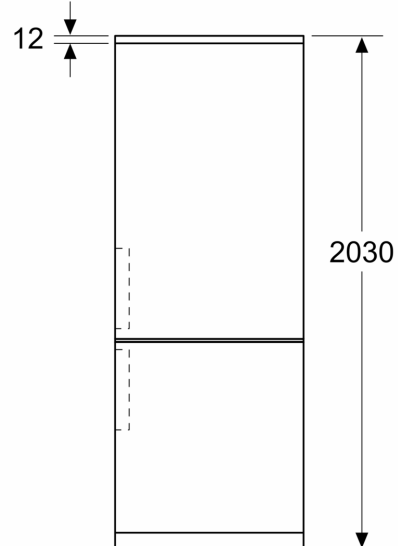
- Dividable glass shelf
- 5 safety glass shelves of which 3 are height adjustable
- SuperFreeze function with automatic deactivation
- Metal backwall

**Series 6, Free-standing fridge-freezer
with freezer at bottom, 203 x 60 cm,
Stainless steel (with anti-fingerprint)
KGN39AIAT**

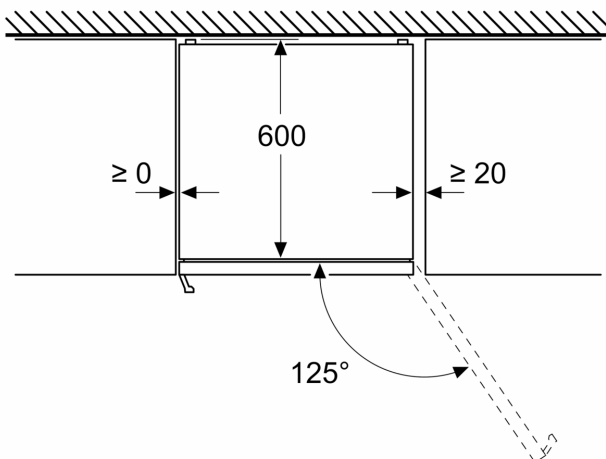
Measurements in mm



Measurements in mm



Measurements in mm



Measurements in mm

