

Series 4, Free-standing fridge-freezer with freezer at bottom, 203 x 60 cm, Inox-easyclean KGN392IDFG



NoFrost bottomfreezer : no need to defrost your freezer

- **NoFrost:** you'll never have to defrost your fridge-freezer again.
- **Perfect Fit:** place your fridge right next to walls and other appliances to save space.
- **VitaFresh XXL Pro near 0°C:** climate-controlled compartments lock in freshness and nutrients for longer.
- **FreshSense sensors constantly monitor and control the ambient, fridge and freezer temperature**
- **LED lights bring a completely new lighting concept to fridges**

Technical Data

Energy Efficiency Class:D
 Average annual energy consumption in kilowatt hour per year (kWh/a): 203 kWh/annum
 Sum of volume of frozen compartments: 103 l
 Sum of volume of chill compartments: 260 l
 Airborne acoustical noise emissions :35 dB(A) re 1 pW
 Airborne acoustical noise emission class:B
 Installation type:Freestanding
 Door panel options: Not possible
 Height: 2030 mm
 Width of the appliance: 600 mm
 Depth of the product: 665 mm
 Net weight:69.7 kg
 Fuse protection: 13 A
 Door hinge: Right reversible
 Voltage: 220-240 V
 Frequency: 50 Hz
 Length of electrical supply cord: 240.0 cm
 Number of compressors: 1
 Number of independent cooling systems: 2
 Interior ventilator: No
 Reversible Door Hinge: Yes
 Number of Adjustable Shelves in fridge compartment (Stck): 3
 Shelves for Bottles: Yes
 Frost free system: Fridge and freezer
 Installation type:Free-standing



Series 4, Free-standing fridge-freezer with freezer at bottom, 203 x 60 cm, Inox-easyclean KGN392IDFG

- Based on the results of the standard 24-hour test. Actual consumption depends on usage/position of the appliance.

NoFrost bottomfreezer : no need to defrost your freezer

Performance and Consumption

- EU19_EEK_D: D
- Total Volume : 363 l
- Net Fridge Volume : 260 l
- Net Freezer Volume : 103 l
- Freezing capacity 24h : 9.5 kg
- Annual Energy Consumption: 203 kWh/a
- Climate Class: SN-T
- Noise Level : 35 dB , EU19_Noise emission class_D: B
- Temperature rise time : EU19_Temperature rise time_D: 15 H

Design features

- Integrated vertical handle
- Standard door Stainless Steel EasyClean

Functions

- Separate, electronic temperature control with LED display

Food freshness system

- Two separate cooling circuits allow independent temperature control and prevents the transference of humidity between the fridge and freezer cavity
- 1 VitaFresh drawer - Fish and meat stay fresh for longer
- 1 VitaFresh drawer with humidity control - Fruits and vegetables retain vitamins and stay fresh for longer
- Optical and accoustical
- MultiAirflow system - improves circulation of air around the fridge
- 5 safety glass shelves of which 3 are height adjustable

Dimension and installation

- Right hinged door, door reversible
- Height adjustable front feet
- 220 - 240 V
- Dimensions: 203 cm H x 60 cm W x 66.5 cm D

Key features - Fridge section

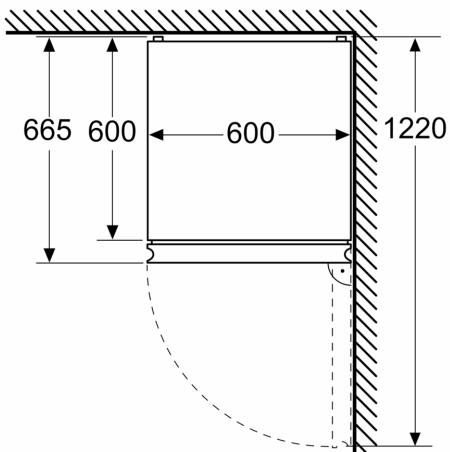
- Bright interior LED fridge light in fridge section
- Super Cooling: automatic deactivation
- Door shelves in fridge door: 1 large and 3 small.
- Metal bottle rack
- 5 safety glass shelves (3 height adjustable)
- White glossy back wall

Key features - Freezer section

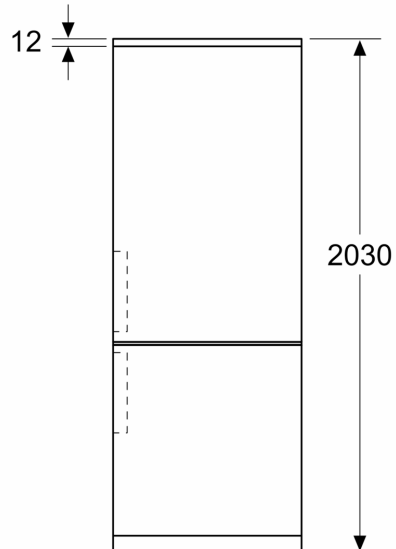
- Freezer malfunction warning signal: optical and acoustical warning system
- Net freezer capacity: 103 litres
- Freezing capacity in 24 hours: 9.5 kg
- Maximum freezer storage time in power failure: 15 hours
- 3 freezer drawers
- 3 x egg tray, 1 x ice cube tray

**Series 4, Free-standing fridge-freezer
with freezer at bottom, 203 x 60 cm,
Inox-easyclean
KGN392IDFG**

Measurements in mm



Measurements in mm



Measurements in mm

