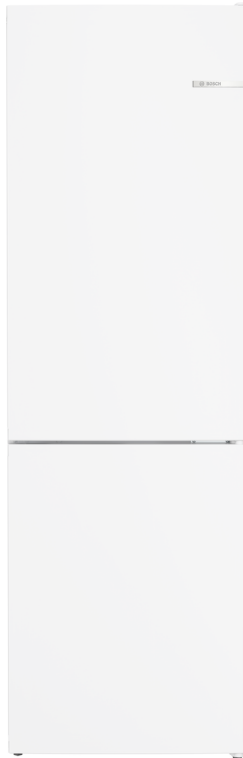


**Series 4, Free-standing fridge-freezer with freezer at bottom, 186 x 60 cm, White**  
**KG362WDFG**



**No Frost bottomfreezer : no need to defrost your freezer**

- **Perfect Fit:** place your fridge right next to walls or other appliances to save space.
- **VitaFresh XXL Pro 0°C:** Keeps meat and fish at exactly the 0°C, helping them stay fresher for longer.
- **Two cooling systems:** separately controllable fridge and freezer compartments
- **Super Cool function:** cools new food faster, to protect what is already inside.
- **Multi Airflow System:** even air distribution for longer freshness.

---

Energy Efficiency Class: .....	D
Average annual energy consumption in kilowatt hour per year (kWh/a): .....	199 kWh/annum
Sum of volume of frozen compartments: .....	103 l
Sum of volume of chill compartments: .....	218 l
Airborne acoustical noise emissions : .....	35 dB(A) re 1pW
Airborne acoustical noise emission class: .....	B
Built-in / Free-standing: .....	Freestanding
Door panel options: .....	Not possible
Height: .....	1860 mm
Width of the appliance: .....	600 mm
Depth: .....	665 mm
Net weight: .....	64.7 kg
Fuse protection: .....	13 A
Door hinge: .....	Right reversible
Voltage: .....	220-240 V
Frequency: .....	50 Hz
Length electrical supply cord: .....	231.0 cm
Number of compressors: .....	1
Number of independent cooling systems: .....	2
Interior ventilator: .....	No
Reversible Door Hinge: .....	Yes
Number of Adjustable Shelves in fridge compartment: .....	2
Shelves for Bottles: .....	Yes
Frost free system: .....	Fridge and freezer
Installation typology: .....	Free-standing

---



## **Series 4, Free-standing fridge-freezer with freezer at bottom, 186 x 60 cm, White KGN362WDFG**

- consumption depends on usage/position of the appliance.
- 4 safety glass shelves of which 2 are height adjustable

### **No Frost bottomfreezer : no need to defrost your freezer**

#### **Performance and Consumption**

- EU19\_EEK\_D: D
- Total Volume : 321 l
- Net Fridge Volume : 218 l
- Net Freezer Volume : 103 l
- Freezing capacity 24h : 9.5 kg
- Annual Energy Consumption: 199 kWh/a
- Noise Level : 35 dB , EU19\_Noise emission class\_D: B
- Climate Class: SN-T
- EU19\_Fast freezer facility\_D
- Temperature rise time : EU19\_Temperature rise time\_D: 14 H

#### **Design features**

- Standard door White
- White doors and white side panels
- Integrated vertical handle

#### **Functions**

- Bright interior LED fridge light in fridge section
- NO\_FROST\_NEU\_BL, never have to defrost ever again
- Separate, electronic temperature control with LED display
- Two separate cooling circuits allow independent temperature control and prevents the transference of humidity between the fridge and freezer cavity
- Super Cooling: automatic deactivation
- Optical and accoustical
- Freezer malfunction warning signal: optical and acoustical warning system
- Right hinged door, door reversible

#### **Freshness System**

- MultiAirflow system - improves circulation of air around the fridge
- 1 VitaFresh drawer - Fish and meat stay fresh for longer
- 1 VitaFresh drawer with humidity control - Fruits and vegetables retain vitamins and stay fresh for longer

#### **Dimension and installation**

- Dimensions: 186 cm H x 60 cm W x 66.5 cm D
- Height adjustable front feet
- 220 - 240 V

#### **Key features - Fridge section**

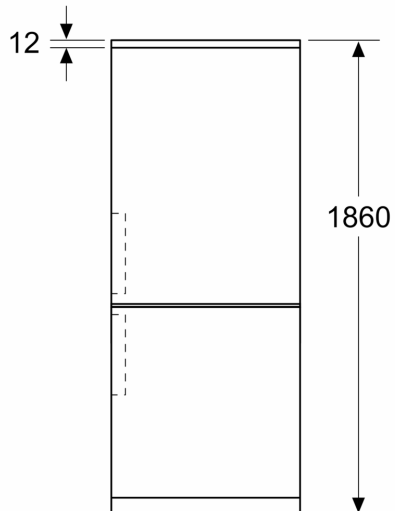
- White glossy back wall
- Door shelves in fridge door: 1 large and 2 small.
- 4 safety glass shelves (2 height adjustable)
- Metal bottle rack
- 3 x egg tray, 1 x ice cube tray

#### **Key features - Freezer section**

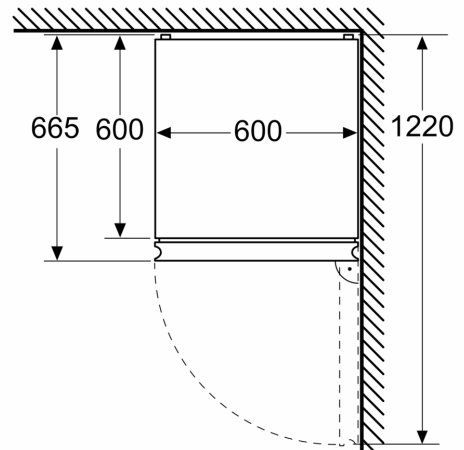
- 3 freezer drawers
- Based on the results of the standard 24-hour test. Actual

**Series 4, Free-standing fridge-freezer  
with freezer at bottom, 186 x 60 cm,  
White  
KGN362WDFG**

Measurements in mm



Measurements in mm



Measurements in mm

