

**Series 4, Free-standing fridge-freezer with freezer at bottom, 186 x 60 cm, Stainless steel (with anti-fingerprint) KGN362IDFG**



**NoFrost bottomfreezer : no need to defrost your freezer**

- **Perfect Fit:** place your fridge right next to walls or other appliances to save space.
- **Glossy Backwall with Multi Airflow:** evenly circulates cool, fresh air to maintain consistent temperatures.
- **VitaFresh XXL Pro near 0°C:** climate-controlled compartments lock in freshness and nutrients for longer.
- **LED lighting:** all your items in perfect view.
- **Intelligent Inverter Technology:** ensuring stable temperature control and efficient performance.

**Technical Data**

Energy Efficiency Class: .....D  
 Average annual energy consumption in kilowatt hour per year (kWh/a): ..... 199 kWh/annum  
 Sum of volume of frozen compartments: ..... 103 l  
 Sum of volume of chill compartments: ..... 218 l  
 Airborne acoustical noise emissions : .....35 dB(A) re 1 pW  
 Airborne acoustical noise emission class: .....B  
 Built-in / Free-standing: ..... Freestanding  
 Door panel options: ..... Not possible  
 Height: ..... 1860 mm  
 Width of the appliance: ..... 600 mm  
 Depth: ..... 665 mm  
 Net weight: ..... 64.2 kg  
 Fuse protection: ..... 13 A  
 Door hinge: ..... Right reversible  
 Voltage: ..... 220-240 V  
 Frequency: ..... 50 Hz  
 Length electrical supply cord: ..... 231.0 cm  
 Number of compressors: ..... 1  
 Number of independent cooling systems: ..... 2  
 Interior ventilator: ..... No  
 Reversible Door Hinge: ..... Yes  
 Number of Adjustable Shelves in fridge compartment: ..... 2  
 Shelves for Bottles: ..... Yes  
 Frost free system: ..... Fridge and freezer  
 Installation typology: ..... Free-standing



## **Series 4, Free-standing fridge-freezer with freezer at bottom, 186 x 60 cm, Stainless steel (with anti-fingerprint) KGN362IDFG**

- Height adjustable front feet

### **NoFrost bottomfreezer : no need to defrost your freezer**

---

#### **Performance and Consumption**

- EU19\_EEK\_D: D
- Total Volume : 321 l
- Net Fridge Volume : 218 l
- Net Freezer Volume : 103 l
- Freezing capacity 24h : 9.5 kg
- Annual Energy Consumption: 199 kWh/a
- Climate Class: SN-T
- EU19\_Fast freezer facility\_D
- Noise Level : 35 dB , EU19\_Noise emission class\_D: B
- Temperature rise time : EU19\_Temperature rise time\_D: 14 H

#### **Design features**

- Stainless Steel EasyClean doors and Pearl grey (VZF 07127) side panels
- Two separate cooling circuits allow independent temperature control and prevents the transference of humidity between the fridge and freezer cavity
- NO\_FROST\_NEU\_BL, never have to defrost ever again
- Integrated vertical handle
- Optical and acoustical
- Freezer malfunction warning signal: optical and acoustical warning system
- Right hinged door, door reversible

#### **Freshness System**

- Separate, electronic temperature control with LED display
- MultiAirflow system - improves circulation of air around the fridge
- 1 VitaFresh drawer - Fish and meat stay fresh for longer
- 1 VitaFresh drawer with humidity control - Fruits and vegetables retain vitamins and stay fresh for longer

#### **Key features - Fridge section**

- Super Cooling: automatic deactivation
- Bright interior LED fridge light in fridge section
- 4 safety glass shelves (2 height adjustable)
- Metal bottle rack
- Door shelves in fridge door: 1 large and 2 small.
- 1 x ice cube tray, 3 x egg tray
- White glossy back wall
- 4 safety glass shelves of which 2 are height adjustable

#### **Key features - Freezer section**

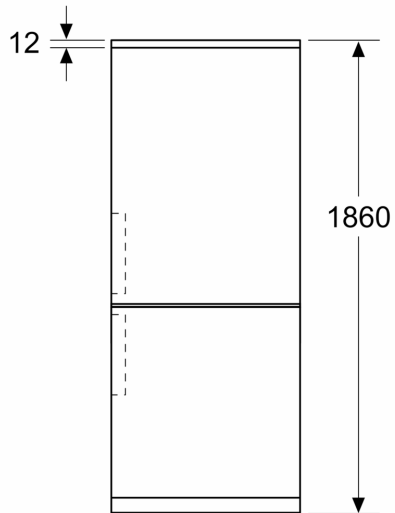
- 3 freezer drawers
- Based on the results of the standard 24-hour test. Actual consumption depends on usage/position of the appliance.

#### **Dimension and installation**

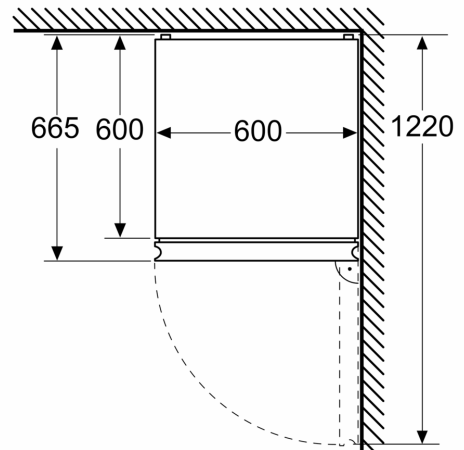
- Dimensions: 186 cm H x 60 cm W x 66.5 cm D
- 220 - 240 V

**Series 4, Free-standing fridge-freezer  
with freezer at bottom, 186 x 60 cm,  
Stainless steel (with anti-fingerprint)  
KGN362IDFG**

Measurements in mm



Measurements in mm



Measurements in mm

