

Series 4, French door bottom freezer, multi door, 183 x 90.5 cm, Stainless steel (with anti-fingerprint) KFN96VPEAG



This multi door refrigerator with VitaFresh Box: cools very efficiently - thanks to the cooling compartment, your fruits and vegetables stay fresh longer.

- **XXL capacity:** extra space for your food when you need it.
- **Big Box drawer:** easily stack food containers and store larger items in your freezer.
- **Super Cool function:** cools new food faster, to protect what is already inside.
- **LED lighting:** all your items in perfect view.
- **Intelligent Inverter Technology:** ensuring stable temperature control and efficient performance.

Technical Data

Energy Efficiency Class:	E
Average annual energy consumption in kilowatt hour per year (kWh/a):	333 kWh/annum
Sum of volume of frozen compartments:	200 l
Sum of volume of chill compartments:	405 l
Airborne acoustical noise emissions :	38 dB(A) re 1 pW
Airborne acoustical noise emission class:	C
Built-in / Free-standing:	Freestanding
Door panel options:	Not possible
Height:	1830 mm
Width of the appliance:	905 mm
Depth:	731 mm
Net weight:	117.3 kg
Fuse protection:	10 A
Door hinge:	left and right
Voltage:	220-240 V
Frequency:	50-60 Hz
Length electrical supply cord:	240.0 cm
Number of compressors:	1
Number of independent cooling systems:	1
Interior ventilator:	Yes
Reversible Door Hinge:	No
Number of Adjustable Shelves in fridge compartment:	2
Shelves for Bottles:	No
Frost free system:	Fridge and freezer
Installation typology:	Free-standing



Series 4, French door bottom freezer, multi door, 183 x 90.5 cm, Stainless steel (with anti-fingerprint) KFN96VPEAG

This multi door refrigerator with VitaFresh Box: cools very efficiently - thanks to the cooling compartment, your fruits and vegetables stay fresh longer.

Performance and Consumption

- EU19_EEK_D: E
- Total Volume : 605 l
- Net Fridge Volume : 405 l
- Net Freezer Volume : 200 l
- Freezing capacity 24h : 13 kg
- Annual Energy Consumption: 333 kWh/a
- Climate Class: SN-T
- EU19_Fast freezer facility_D
- Noise Level : 38 dB , EU19_Noise emission class_D: C
- Temperature rise time : EU19_Temperature rise time_D: 15 H
- No Frost, Free-standing-refrigerator >= 3 door

Design features

- Standard door Stainless Steel EasyClean
- Standard door
- Stainless Steel EasyClean door and chrome inox metallic side panels.
- Electronic control for fridge and freezer with LED display
- Interior design with metal applications

Functions

- Super Cooling: automatic deactivation
- Automatic defrost fridge
- Sabbath Mode
- optical, acoustic for Fridge and Freeze
- Freezer malfunction warning signal: optical, acoustical

Food freshness system

- MultiAirflow system - improves circulation of air around the fridge
- 1 VitaFresh drawer - Fish and meat stay fresh for longer
- 1 CrisperBox - vegetable/salad container with humidity control

Dimension and installation

- Dimensions: 183 cm H x 90.5 cm W x 73.1 cm D
- 4 wheels for easier transport, 3 of them height adjustable.
- 220 - 240 V

Key features - Fridge section

- Bright interior LED fridge light in fridge section
- 3 safety glass shelves of which 2 are height adjustable, Standard shelf 2 shelves extendable
- Bright interior LED fridge light
- Door shelves in fridge door: 2 large and 2 small.
- 1 dairy compartment in door
- 2 removable door storage compartments.
- 3 safety glass shelves (2 height adjustable)

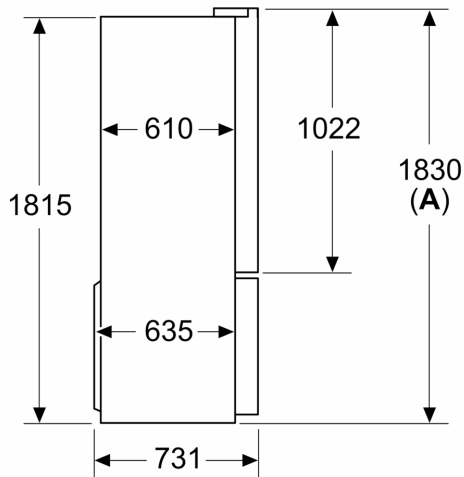
- White glossy back wall

Key features - Freezer section

- No Frost
- Freezer malfunction warning signal: Acoustic Warning System
- Net 4* compartment volume : 200 l
- 6 freezer drawers
- 1 ice cube tray
- Based on the results of the standard 24-hour test. Actual consumption depends on usage/position of the appliance.
- To achieve the declared energy consumption, the distanceholders have to be used. As a result, the appliance depth increases by about 3.5 cm. The appliance used without the distance holder is fully functional, but has a slightly higher energy consumption.

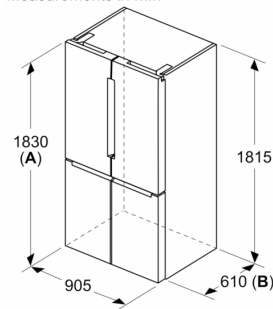
**Series 4, French door bottom
freezer, multi door, 183 x 90.5 cm,
Stainless steel (with anti-fingerprint)
KFN96VPEAG**

Measurements in mm



A: Front is adjustable 1830–1847 mm, with front levelling feet fully extended

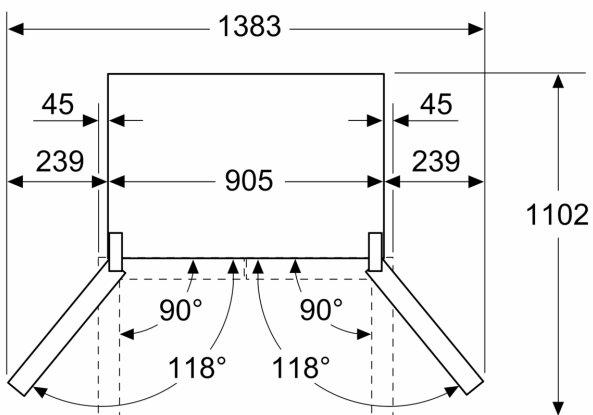
Measurements in mm



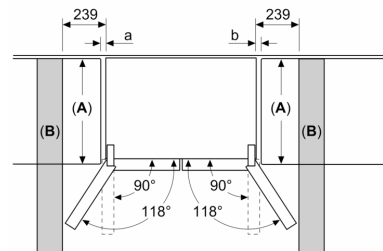
A: Front is adjustable 1830–1847 mm, with front levelling feet fully extended

B: Add 25 mm for fixed spacers on back

Measurements in mm



Measurements in mm



A	a	b
≤ 600	0	0
600 < A ≤ 650	45	45
650 < A ≤ 700	60	60
> 700	239	239

A: Kitchen cabinet or worktop depth

B: Wall
Drawers can be pulled and taken out with door open to 90°