

Series 6, French door bottom freezer, multi door, 183 x 90.5 cm, Brushed steel anti-fingerprint KFI96APEAG



The Multi Door fridge freezer combination: step into a XXL world of freshness with VitaFresh <0°C> XXL. Say goodbye to defrosting headaches and hello to an endless supply of filtered water and ice at your fingertips.

- **VitaFresh XXL Pro near 0°C:** climate-controlled compartments lock in freshness and nutrients for longer.
- **Multi Purpose Shelf:** get more flexibility and more space.
- **An audible alarm system signals the door is open**
- **Individual Temperature Control:** separate temperature settings for your fridge and freezer.
- **Metal Backwall with Multi Airflow:** evenly circulates cool, fresh air to maintain consistent temperatures.

Energy Efficiency Class:	E
Average annual energy consumption in kilowatt hour per year (kWh/a):	327 kWh/annum
Sum of volume of frozen compartments:	199 l
Sum of volume of chill compartments:	375 l
Airborne acoustical noise emissions :	39 dB(A) re 1 pW
Airborne acoustical noise emission class:	C
Built-in / Free-standing:	Freestanding
Door panel options:	Not possible
Height:	1830 mm
Width of the appliance:	905 mm
Depth:	731 mm
Net weight:	139.5 kg
Fuse protection:	13 A
Door hinge:	left and right
Voltage:	220-240 V
Frequency:	50-60 Hz
Length electrical supply cord:	240.0 cm
Number of compressors:	1
Number of independent cooling systems:	1
Interior ventilator:	Yes
Reversible Door Hinge:	No
Number of Adjustable Shelves in fridge compartment:	4
Shelves for Bottles:	Yes
Frost free system:	Fridge and freezer
Installation typology:	Free-standing



Series 6, French door bottom freezer, multi door, 183 x 90.5 cm, Brushed steel anti-fingerprint KFI96APEAG

The Multi Door fridge freezer combination: step into a XXL world of freshness with VitaFresh <0°C> XXL. Say goodbye to defrosting headaches and hello to an endless supply of filtered water and ice at your fingertips.

- No Frost, Free-standing-refrigerator >= 3 door
- Standard door Stainless Steel EasyClean

Performance and Consumption

- EU19_EEK_D: E
- Total Volume : 574 l
- Annual Energy Consumption: 327 kWh/a
- Noise Level : 39 dB , EU19_Noise emission class_D: C

Functions

- Stainless Steel EasyClean doors and chrome inox metallic side panels
- Metal backwall
- Interior design with metal applications
- Plastic Integr. handle hori. and vert.
- Bright interior LED fridge light

Design features

- NO_FROST_NEU_BL, never have to defrost ever again
- Electronic control for fridge and freezer with LED display
- Home Connect: iService Remote, Remote Monitoring and Control with Wi-Fi connectivity
- Wi-Fi connectivity
- lockable lid
- Freezer malfunction warning signal: Acoustic Warning System
- Automatic defrost fridge
- Holiday mode - saves energy when you're away a longer period of time, Sabbath Mode
- Freezer malfunction warning signal: optical, acoustical
- Separate temperature control for cooling and freezing section
- Super Cooling: automatic deactivation
- SuperFreezing function with automatic deactivation
- optical, acoustic for Fridge and Freeze

Ice and Water

- Illuminated water and ice dispenser
- Automatic ice cube maker
- 4 litre water tank integrated under shelf
- no

Design features

- Net Fridge Volume : 375 l
- MultiAirflow system - improves circulation of air around the fridge
- 5 safety glass shelves of which 4 are height adjustable
- 1 removable door storage compartments.

- flexShelf - easy to pull out if required, space saving if not in use
- 1 dairy compartment in door
- 1 Dividable glass shelf

Freshness System

- 1 VitaFresh drawer - Fish and meat stay fresh for longer
- 1 CrisperBox - vegetable/salad container with humidity control

Food freshness system

- Net Freezer Volume : 199 l
- Freezing capacity 24h : 16 kg
- No Frost
- 6 freezer drawers
- EU19_Fast freezer facility_D

Key features - Fridge section

- 4 height adjustable feet
- Climate Class: SN-T
- 220 - 240 V
- Length of power cord: 240 cm

Dimension and installation

- Dimensions: 183 cm H x 90.5 cm W x 73.1 cm D

Key features - Freezer section

Included accessories

Country Specific Options

- Based on the results of the standard 24-hour test. Actual consumption depends on usage/position of the appliance.

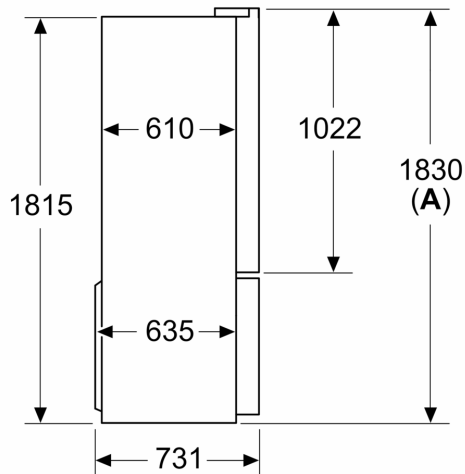
Design features

Dimension and installation

Additional features

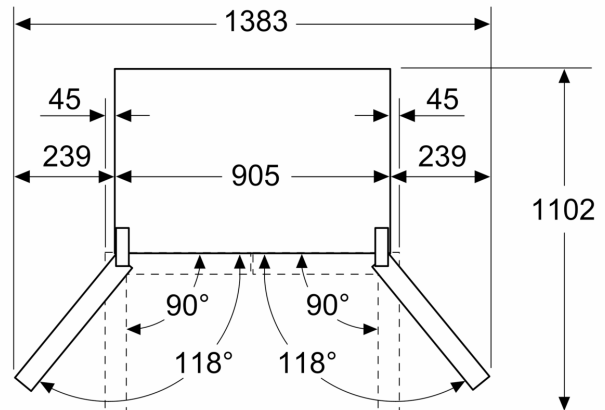
**Series 6, French door bottom
freezer, multi door, 183 x 90.5 cm,
Brushed steel anti-fingerprint
KFI96APEAG**

Measurements in mm

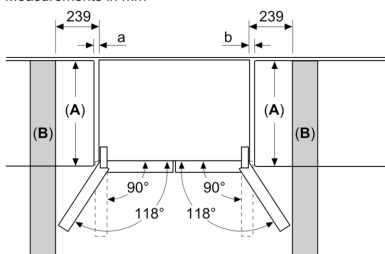


A: Front is adjustable 1830–1847 mm, with front levelling feet fully extended

Measurements in mm



Measurements in mm

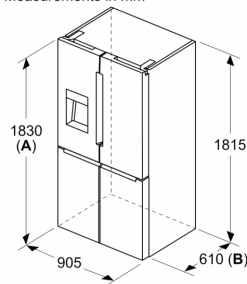


A	a	b
≤ 600	0	0
600 < A ≤ 650	45	45
650 < A ≤ 700	60	60
> 700	239	239

A: Kitchen cabinet or worktop depth

B: Wall
Drawers can be pulled and taken out with door open to 90°

Measurements in mm



A: Front is adjustable 1830–1847 mm, with front levelling feet fully extended

B: Add 25 mm for fixed spacers on back