

**Series 4, American side by side, 175.6
x 91.2 cm, Inox-easyclean
KAN92VI35**



Included accessories

1 x egg tray

A++

**The NoFrost side-by-side fridge-freezer
with indoor electronics: saves you from
defrosting.**

- **Extra Large size:** provides much more space for your food.
- **VitaFresh:** keeps your food fresh for longer
- **MultiBox:** transparent drawer with wave bottom, ideal for the storage of fruits and vegetables
- LED lights bring a completely new lighting concept to fridges
- **NoFrost:** never defrost again, thanks to perfect protection from ice formation - that saves time and effort.

Technical Data

Construction type : Free-standing

Door panel options : Not possible

Height : 1756 mm

Width of the product : 912 mm

Depth of the product : 732 mm

Net weight : 109.0 kg

Connection rating : 190 W

Fuse protection : 10 A

Door hinge : Left & Right

Voltage : 220-240 V

Frequency : 50-60 Hz

Approval certificates : CE, Morocco, VDE

Length of electrical supply cord : 240 cm

Storage Period in Event of Power Failure (h) : 12 h

Number of compressors : 1

Number of independent cooling systems : 2

Interior ventilator : No

Reversible Door Hinge : No

Number of Adjustable Shelves in fridge compartment (Stck) : 3

Shelves for Bottles : No

EAN code : 4242002811215

Brand : Bosch

Product name / Commercial code : KAN92VI35

Energy efficiency rating : A++

Energy consumption annual - NEW (2010/30/EC) : 389.00 kWh/annum

Refrigerator Net capacity - NEW (2010/30/EC) : 387 l

Freezer Net capacity - NEW (2010/30/EC) : 217 l

Freezing capacity) - NEW (2010/30/EC) : 12 kg/24h

Climate class : SN-T

Noise level : 43 dB(A) re 1 pW

Installation type : N/A

Included accessories : 1 x egg tray



4 242002 811215

Series 4, American side by side, 175.6 x 91.2 cm, Inox-easyclean KAN92VI35

The NoFrost side-by-side fridge-freezer with indoor electronics: saves you from defrosting.

Performance

- Energy consumption: 389 kWh kWh/yr.
- Total net capacity: 604 l litres
- Net fridge capacity: 387 litres
- Net freezer capacity: 202 litres
- Noise level dB(A) re 1 pW: 43
- Climate class SN-T (suitable for ambient temperatures between 10 to 43°C)

Design features

- Interior design with metal applications
- Plastic Integrated vertical handle
- No Frost
- Automatic defrost fridge
- Two separate cooling circuits allow independent temperature control and prevents the transference of humidity between the fridge and freezer cavity
- MultiAirflow system - improves circulation of air around the fridge
- Bright interior LED fridge light
- Removable magnetic door seals - easy to clean
- Optical and accoustical
- Freezer malfunction warning signal: optical and accoustical

Freshness System

Additional features

- 4 safety glass shelves in fridge compartment of which 3 are height adjustable
- Freezing capacity in 24 hours: 12 kg
- Maximum freezer storage time in power failure: 12 hours
- Left hinged, Right hinged door
- Height adjustable front feet

Functions

- Separate, electronic temperature control with LED display
- Super Cooling: automatic deactivation
- SuperFreezing function with automatic deactivation
- Freezer malfunction warning signal: optical and accoustical warning system
- Holiday mode - saves energy when you're away a longer period of time

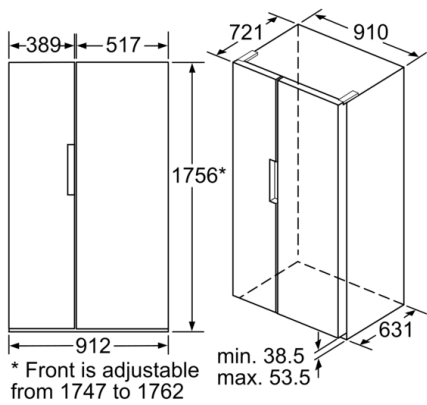
Key features - Fridge section

- 1 VitaFresh drawer with humidity control - Fruits and vegetables stay fresh and vitamin-rich for longer. 1 MultiBox drawer on telescopic rails - Transparent drawer with a corrugated bottom, ideal for storing fruits and vegetables.
- Door shelves in fridge door: 2 large and 2 small.
- 3 x egg tray
- 1 dairy compartment in door
- Bright interior LED fridge light

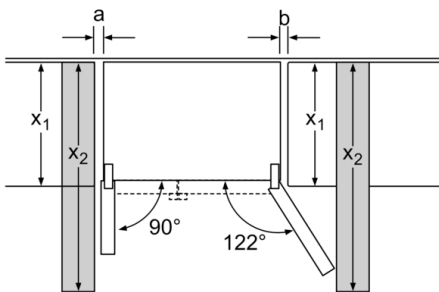
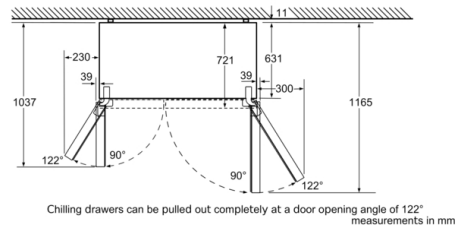
Key features - Freezer section

- 2 freezer drawers, drawers on telescopic rails (partially extendable)
- Twist ice box
- Door trays in freezer door: 5
- To achieve the declared energy consumption, the distanceholders have to be used. As a result, the appliance depth increases by about 3.5 cm. The appliance used without the distance holder is fully functional, but has a slightly higher energy consumption.
- Dimensions: 175.6 cm H x 91.2 cm W x 73.2 cm D

**Series 4, American side by side, 175.6 x 91.2 cm, Inox-easyclean
KAN92VI35**



measurements in mm



x ₁ (unit depth)	a	b
600	39	39
650	39	53
700	39	85
x ₂ (wall)	39	300

measurements in mm