

**Serie | 8, 175.6 x 91.2 cm, Black
KAN92LB35G****Included accessories**

2 x cold accumulator
1 x egg tray

**The NoFrost side-by-side fridge-freezer
with indoor electronics: saves you from
defrosting.****A++**

- **XXL capacity:** extra space for your food when you need it.
- **MultiBox:** transparent drawer with wave bottom, ideal for the storage of fruits and vegetables
- LED lights bring a completely new lighting concept to fridges
- **NoFrost:** never defrost again, thanks to perfect protection from ice formation - that saves time and effort.
- **BigBox frozen food drawer:** for stacking storage containers or for large frozen food items.

Technical Data

Construction type : Free-standing

Door panel options : Not possible

Height : 1756 mm

Width of the product : 912 mm

Depth of the product : 732 mm

Net weight : 139.729 kg

Connection rating : 190 W

Fuse protection : 13 A

Door hinge : Left & Right

Voltage : 220-240 V

Frequency : 50-60 Hz

Approval certificates : CE, Eurasian, VDE

Length of electrical supply cord : 240 cm

Storage Period in Event of Power Failure (h) : 12 h

Number of compressors : 1

Number of independent cooling systems : 2

Interior ventilator : No

Reversible Door Hinge : No

Number of Adjustable Shelves in fridge compartment (Stck) : 3

Shelves for Bottles : Yes

EAN code : 4242002995397

Brand : Bosch

Product name / Commercial code : KAN92LB35G

Energy consumption annual - NEW (2010/30/EC) : 385.00 kWh/
annum

Refrigerator Net capacity - NEW (2010/30/EC) : 375 l

Freezer Net capacity - NEW (2010/30/EC) : 217 l

Freezing capacity) - NEW (2010/30/EC) : 12 kg/24h

Climate class : SN-T

Noise level : 43 dB(A) re 1 pW

Installation type : N/A



4 242002 995397

Serie | 8, 175.6 x 91.2 cm, Black KAN92LB35G

The NoFrost side-by-side fridge-freezer with indoor electronics: saves you from defrosting.

Performance

- Energy consumption: 385 kWh kWh/yr.
- Total net capacity: 592 l litres
- Net fridge capacity: 375 litres
- Net freezer capacity: 202 litres
- Noise level dB(A) re 1 pW: 43
- Climate class SN-T (suitable for ambient temperatures between 10 to 43°C)

Design features

- Twist ice box
- Plastic Integrated vertical handle
- Automatic defrost fridge
- Two separate cooling circuits allow independent temperature control and prevents the transference of humidity between the fridge and freezer cavity
- MultiAirflow system - improves circulation of air around the fridge, ChillerBox - recommended storage area for meat and fish
- Bright interior LED fridge light
- Removable magnetic door seals - easy to clean
- Optical and accoustical
- Freezer malfunction warning signal: optical and accoustical

Freshness System

- VitaFresh plus: keeps food fresh for up to twice as long

Additional features

- 4 safety glass shelves in fridge compartment of which 3 are height adjustable
- 4 safety glass shelves of which 3 are height adjustable, 1 EasyLift glass shelf, Extendable glass shelf, not divided 2 shelves extendable
- 2 freezer drawers
- Freezing capacity in 24 hours: 12 kg
- Maximum freezer storage time in power failure: 12 hours
- Left hinged, Right hinged door
- Height adjustable front feet

Functions

- Separate, electronic temperature control with LED display
- Super Cooling: automatic deactivation
- SuperFreezing function with automatic deactivation
- Freezer malfunction warning signal: optical and accoustical warning system

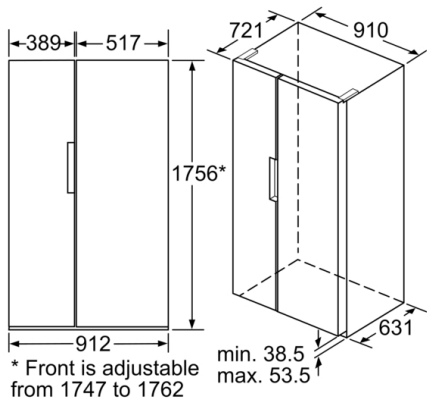
Key features - Fridge section

- 1 VitaFresh drawer - Fish and meat stay fresh for longer VitaFresh Plus container on telescopic rails with humidity control for prolonged food storage,
- 1 MultiBox drawer on telescopic rails - Transparent drawer with a corrugated bottom, ideal for storing fruits and vegetables.
- 2 removable door storage compartments.
- Door shelves in fridge door: 2 large and 3 small.
- 2 x cold accumulator, 3 x egg tray
- 1 dairy compartment in door
- Bright interior LED fridge light

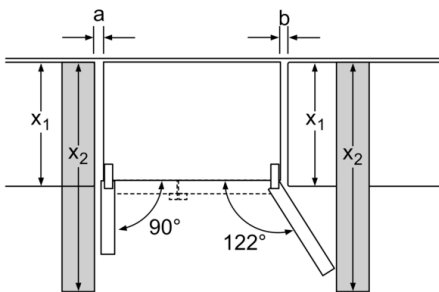
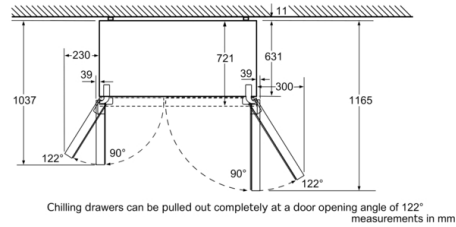
Key features - Freezer section

- 2 freezer drawers, drawers on telescopic rails (partially extendable)
- Door trays in freezer door: 5
- To achieve the declared energy consumption, the distanceholders have to be used. As a result, the appliance depth increases by about 3.5 cm. The appliance used without the distance holder is fully functional, but has a slightly higher energy consumption.
- Dimensions: 175.6 cm H x 91.2 cm W x 73.2 cm D

**Serie | 8, 175.6 x 91.2 cm, Black
KAN92LB35G**



measurements in mm



x_1 (unit depth)	a	b
600	39	39
650	39	53
700	39	85
x_2 (wall)	39	300

measurements in mm