

Series 6, Built-in oven with added steam function, 60 x 60 cm, Stainless steel
HRS578BS6B



The built-in oven with AutoPilot and added steam: automatically prepares your dishes so they're crispy and juicy.

- **Added Steam cooking:** keeping food crispy on the outside and juicy on the inside
- **AutoPilot 30:** Perfectly cooks dishes thanks to 30 pre-set automatic programmes.
- **White LCD display control:** easy-to-use thanks to direct access to additional functions, temperature recommendation and temperature indication.
- **Pop-out controls:** Make the front of the oven easy to clean and give it a sleek look.
- **Pyrolytic self-cleaning:** Automatically cleans the oven, just wipe out the ash.

Technical Data

Color / Material Front : Stainless steel

Construction type : Built-in

Integrated Cleaning system : Pyrolytic

Min. required niche size for installation (HxWxD) : 585-595 x 560-568 x 550 mm

Dimensions : 595 x 594 x 548 mm

Dimensions of the packed product (HxWxD) : 675 x 690 x 660 mm

Control Panel Material : Stainless steel

Door Material : Glass

Net weight : 40.3 kg

Usable volume of cavity : 71 l

Cooking method : Conventional heat, Defrost, Full width grill, Hot Air, Hotair gentle, Hot air grilling, low temperature cooking, Pizza setting

First cavity material : Other

Oven control : electronic

Number of interior lights : 1

Length of electrical supply cord : 120 cm

EAN code : 4242005165957

Number of cavities (2010/30/EC) : 1

Energy efficiency rating : A

Energy consumption per cycle conventional (2010/30/EC) : 0.99 kWh/cycle

Energy consumption per cycle forced air convection (2010/30/EC) : 0.81 kWh/cycle

Energy efficiency index (2010/30/EC) : 95.3 %

Connection rating : 3600 W

Fuse protection : 16 A

Voltage : 220-240 V

Frequency : 50; 60 Hz

Plug type : no plug (electrical connection by electrician)

Included accessories : 2 x combination grid, 1 x universal pan, 2 x Universal pan, slim size

Included accessories

2 x combination grid
 1 x universal pan
 2 x Universal pan
 slim size

Optional accessories

HEZ530000 : Half tray
 HEZ531000 : Baking tray, grey enamelled
 HEZ531010 : Baking tray, non-stick ceramic coated
 HEZ538000 : 1fold telescopic rail, level independent
 HEZ634000 : Baking and roasting grid (standard)
 HEZ636000 : Glass pan
 HEZ638300 : 3 level telescopic rails, full ext
 HEZ915003 : Glass roasting dish, 5,4 L



Series 6, Built-in oven with added steam function, 60 x 60 cm, Stainless steel HRS578BS6B

The built-in oven with AutoPilot and added steam: automatically prepares your dishes so they're crispy and juicy.

Design

- LCD-display control (white)
- Rotary dial, Retractable control dials, round
- Straight bar handle

Features

- Home Connect ready
- Electronic door lock
Control panel lock Automatic safety switch off Residual heat indicator Door contact switch
- Digital temperature display with proposal
Heating-up indicator AutoPilot Automatic start
- AutoPilot, 30
- Electronic clock timer
- Interior halogen light, Light on/off when oven door opened/closed
- Integral cooling fan
- 5 shelf positions

Cleaning

- Pyrolytic self-cleaning function
- Full glass inner door

Programmes/functions

- Oven with 9 heating methods: 3D Hotair, conventional top and bottom heat, Hotair grilling, full width variable grill, pizza function, low temperature cooking, defrost, Hotair gentle, reheating with steam
- Additional functions:
Descaling programme
- Heating modes in combination with steam function: Hot air, Hot air grilling, Top/bottom heat
- Fast pre-heating function

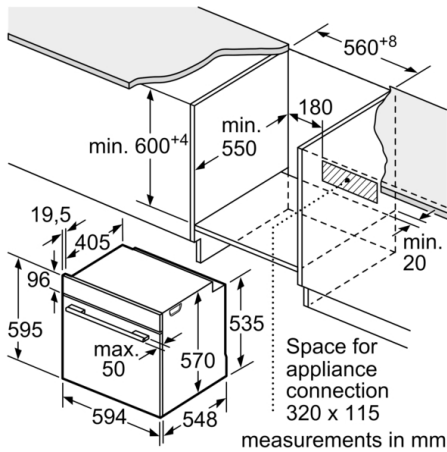
Accessories

- 2 x combination grid, 1 x universal pan, 2 x Universal pan, slim size

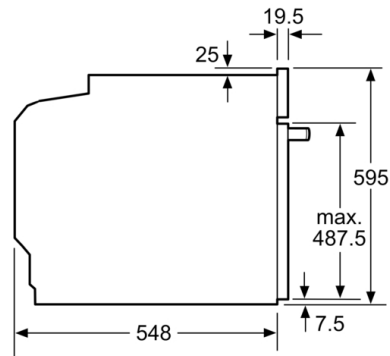
Performance/technical information

- Energy efficiency rating (acc. EU Nr. 65/2014): A
Energy consumption per cycle in conventional mode:0.99 kWh
Energy consumption per cycle in fan-forced convection mode:0.81 kWh
Number of cavities: Main cavity Heat source: electrical Cavity volume:71 litre capacity
- Water tank with a volume of 220ml
- Location of water tank: Outside cavity
- 120 cm Cable length
- Temperature range 30 °C - 275 °C
- Total connected load electric: 3.6 KW
- Nominal voltage: 220 - 240 V
- Appliance dimension (hxwxd): 595 mm x 594 mm x 548 mm
- Niche dimension (hxwxd): 585 mm - 595 mm x 560 mm - 568 mm x 550 mm
- Please refer to the dimensions provided in the installation manual

**Series 6, Built-in oven with added steam function, 60 x 60 cm, Stainless steel
HRS578BS6B**

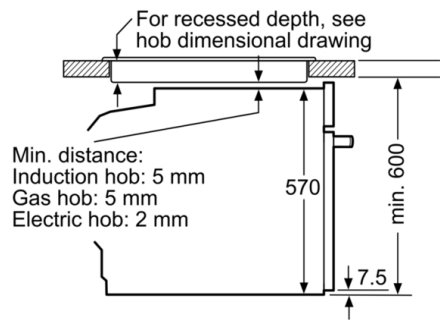


measurements in mm



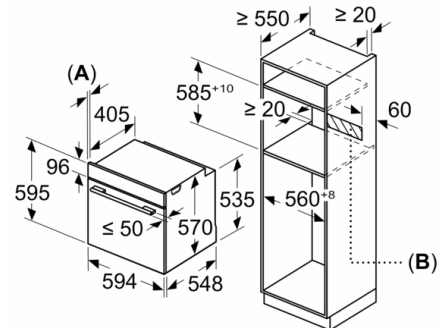
measurements in mm

Installation with a hob.



measurements in mm

Measurements in mm



A: 19.5 mm
B: Space for appliance connection 320 x 115 mm