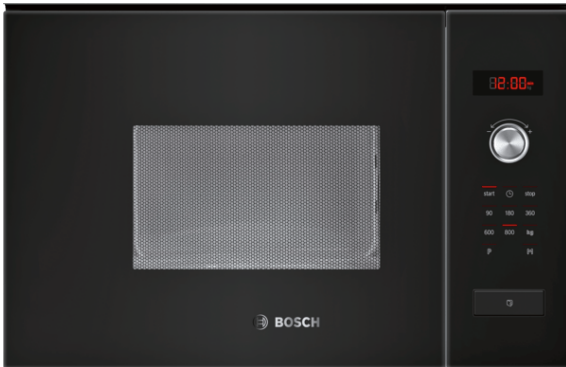


**Serie | 6, Built-in microwave oven, 60 x 38 cm, Black
HMT75M664B**



A great partner for the kitchen, the built-in compact microwave defrosts, heats and cooks helping you prepare food in the kitchen.

- **Red LED display control:** easy-to-use thanks to the time functions.
- **Pop-out controls:** Make the front of the oven easy to clean and give it a sleek look.
- **Red LCD display control:** easy-to-use thanks to direct access to additional functions, temperature recommendation and temperature indication.

Technical Data

| | |
|---|-----------------------|
| Type of micro-wave oven : | MW only |
| Type of control : | Electronic |
| Color / Material Front : | Black |
| Cavity dimensions (mm) : | 201.0 x 308.0 x 282.0 |
| Approval certificates : | CE |
| Length of electrical supply cord (cm) : | 130 |
| Net weight (kg) : | 16.405 |
| Gross weight (kg) : | 18.1 |
| EAN code : | 4242002788401 |
| Maximum micro-wave power (W) : | 800 |
| Connection rating (W) : | 1270 |
| Fuse protection (A) : | 10 |
| Voltage (V) : | 230-240 |
| Frequency (Hz) : | 50 |
| Plug type : | GB plug |
| Cavity dimensions (mm) : | 201.0 x 308.0 x 282.0 |



**Serie | 6, Built-in microwave oven, 60 x 38 cm, Black
HMT75M664B**

A great partner for the kitchen, the built-in compact microwave defrosts, heats and cooks helping you prepare food in the kitchen.

Key Information

- Electronic control

Design

- 1 retractable control dial
- Push buttons
- Left hinged door
- Side opening door with viewing window

Features

- Electronic clock timer
- 1 interior light
- Stainless steel interior

Programmes/functions

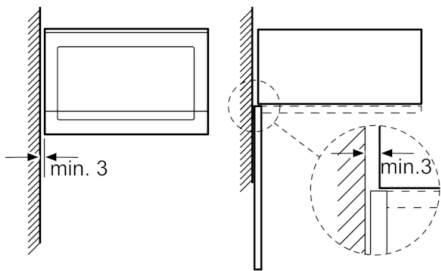
- microwave
- 4 weight automatic defrost programmes
- 1 memory function

Performance/technical information

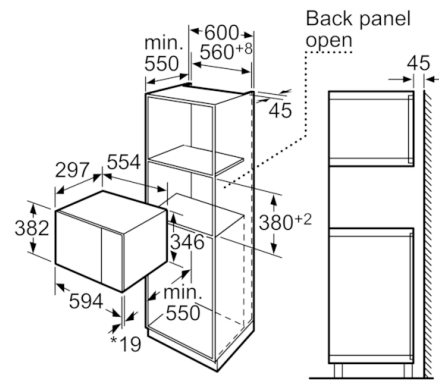
- Large 20 litre stainless steel interior
- Turntable distribution
- 255 mm turntable diameter
- 5 power levels: 800 W, 600 W, 360 W, 180 W, 90 W
- User-friendly electronics: extremely easy and comfortable operation
- For installation into a 60 cm wide wall unit, installation in tall housing

**Serie | 6, Built-in microwave oven, 60 x 38 cm, Black
HMT75M664B**

Microwave,
corner installation

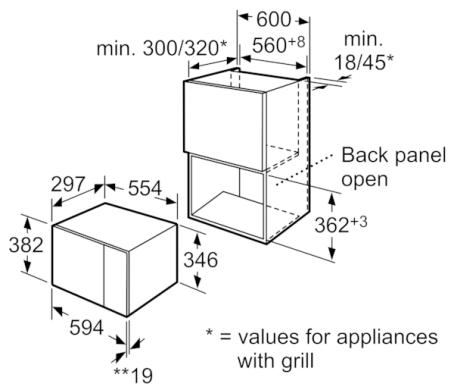


Measurements in mm



* 20 mm for metal fascias

measurements in mm



* = values for appliances
with grill

** 20 mm for metal fascias

measurements in mm