

**Serie | 6, Built-in microwave oven,
Stainless steel
HMT75M654B**



A great partner for the kitchen, the built-in compact microwave defrosts, heats and cooks helping you prepare food in the kitchen.

- **AutoPilot 7:** every dish is a perfect success thanks to 7 pre-set automatic programmes.
- **Frameless design:** easy installation, harmonious integration into the kitchen furniture and easy to clean.
- **Frameless design:** easy installation, harmonious integration into the kitchen furniture and easy to clean.
- **Side-opening door:** convenient opening thanks to left-hinged door.
- **AutoPilot 7:** every dish is a perfect success thanks to 7 pre-set automatic programmes.

Technical Data

Type of micro-wave oven :	MW only
Type of control :	Electronic
Color / Material Front :	Stainless steel
Dimensions of the product (mm) :	382 x 594 x 317
Cavity dimensions (mm) :	201.0 x 308.0 x 282.0
Length of electrical supply cord (cm) :	130
Net weight (kg) :	15.955
Gross weight (kg) :	17.6
EAN code :	4242002788388
Maximum micro-wave power (W) :	800
Connection rating (W) :	1270
Current (A) :	10
Voltage (V) :	230-240
Frequency (Hz) :	50
Plug type :	GB plug



4 242002 788388

Serie | 6, Built-in microwave oven, Stainless steel

HMT75M654B

A great partner for the kitchen, the built-in compact microwave defrosts, heats and cooks helping you prepare food in the kitchen.

Key Information

- Electronic control

Design

- 1 retractable control dial
- Push buttons
- Left hinged door
- Side opening door with viewing window

Features

- Electronic clock timer
- 1 interior light
- Stainless steel interior

Programmes/functions

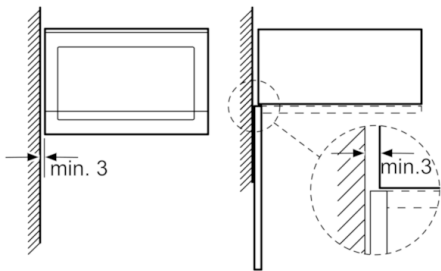
- microwave
- 3 weight automatic cooking programmes
- 4 weight automatic defrost programmes
- 1 memory function

Performance/technical information

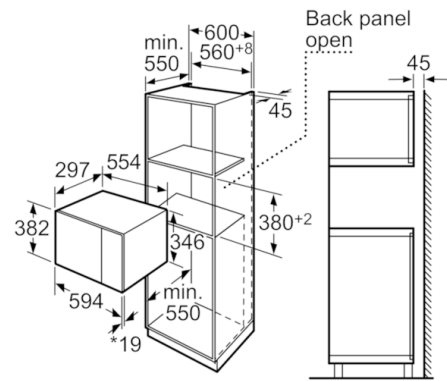
- Large 20 litre stainless steel interior
- Turntable distribution
- 255 mm turntable diameter
- 5 power levels: 800 W, 600 W, 360 W, 180 W, 90 W
- User-friendly electronics: extremely easy and comfortable operation
- installation in tall housing

Serie | 6, Built-in microwave oven, Stainless steel
HMT75M654B

Microwave,
 corner installation



Measurements in mm



* 20 mm for metal fascias

measurements in mm