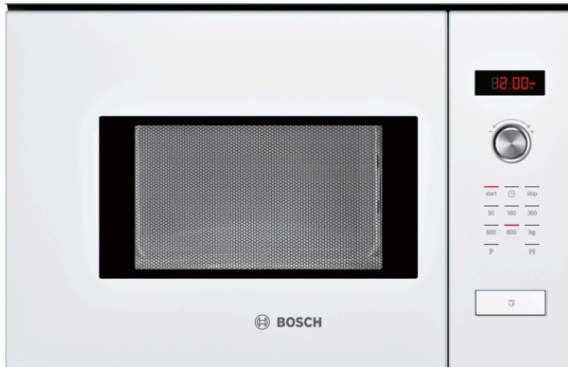


**Serie | 6, Built-in microwave oven, 60  
x 38 cm, White  
HMT75M624B**



**A great partner for the kitchen, the built-in compact microwave defrosts, heats and cooks helping you prepare food in the kitchen.**

- **Red LED display control:** easy-to-use thanks to the time functions.
- **Pop-out controls:** Make the front of the oven easy to clean and give it a sleek look.
- **Red LCD display control:** easy-to-use thanks to direct access to additional functions, temperature recommendation and temperature indication.

---

**Technical Data**

Type of micro-wave oven : MW only

Type of control : Electronic

Color / Material Front : White

Cavity dimensions : 201.0 x 308.0 x 282.0 mm

Approval certificates : CE

Length of electrical supply cord : 130 cm

Net weight : 16.405 kg

Gross weight : 18.1 kg

EAN code : 4242002788395

Maximum micro-wave power : 800 W

Connection rating : 1270 W

Fuse protection : 10 A

Voltage : 230-240 V

Frequency : 50 Hz

Plug type : GB plug

Cavity dimensions : 201.0 x 308.0 x 282.0 mm

---



**Serie | 6, Built-in microwave oven, 60 x 38 cm, White  
HMT75M624B**

**A great partner for the kitchen, the built-in compact microwave defrosts, heats and cooks helping you prepare food in the kitchen.**

---

**Key Information**

- Electronic control

**Design**

- 1 retractable control dial
- Push buttons
- Left hinged door
- Side opening door with viewing window

**Features**

- Electronic clock timer
- 1 interior light
- Stainless steel interior

**Programmes/functions**

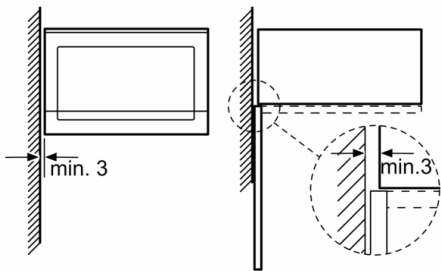
- microwave
- 4 weight automatic defrost programmes
- 1 memory function

**Performance/technical information**

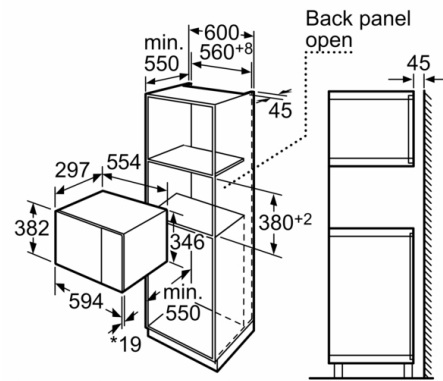
- Oven capacity: 20 litres
- Large 20 litre stainless steel interior
- Turntable distribution
- 255 mm turntable diameter
- 5 power levels: 800 W, 600 W, 360 W, 180 W, 90 W
- 5 microwave power levels  
Maximum microwave power level: 800 W
- User-friendly electronics: extremely easy and comfortable operation
- For installation into a 60 cm wide wall unit, installation in tall housing

**Serie | 6, Built-in microwave oven, 60 x 38 cm, White  
HMT75M624B**

Microwave,  
corner installation

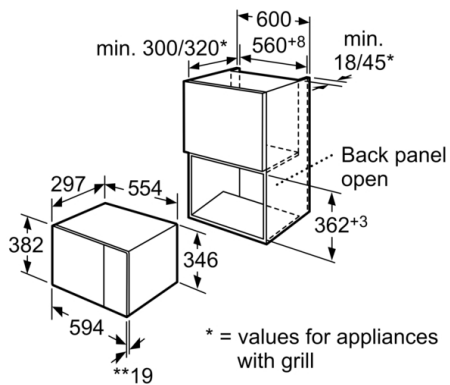


Measurements in mm



\* 20 mm for metal fascias

measurements in mm



\* = values for appliances  
with grill

\*\* 20 mm for metal fascias

measurements in mm