

## Series 2, Built-in microwave oven HMT75M551B



**A great partner for the kitchen, the built-in compact microwave defrosts, heats and cooks helping you prepare food in the kitchen.**

- **AutoPilot 7:** every dish is a perfect success thanks to 7 pre-set automatic programmes.
- **Red LED display control:** easy-to-use thanks to the time functions.
- **Pop-out controls:** Make the front of the oven easy to clean and give it a sleek look.
- **Red LCD display control:** easy-to-use thanks to direct access to additional functions, temperature recommendation and temperature indication.

---

### Technical Data

Type of micro-wave oven : MW only  
Type of control : Electronic  
Color / Material Front : Stainless steel  
Dimensions : 364 x 453 x 320 mm  
Cavity dimensions : 194.0 x 290 x 285.0 mm  
Length of electrical supply cord : 130 cm  
Net weight : 14.0 kg  
Gross weight : 16.0 kg  
EAN code : 4242002491677  
Maximum micro-wave power : 800 W  
Connection rating : 1270 W  
Fuse protection : 10 A  
Voltage : 230 V  
Frequency : 50 Hz  
Plug type : GB plug  
Cavity dimensions : 194.0 x 290 x 285.0 mm



## Series 2, Built-in microwave oven HMT75M551B

**A great partner for the kitchen, the built-in compact microwave defrosts, heats and cooks helping you prepare food in the kitchen.**

---

### **Design**

- LED Display, red display
- Side opening door, left hinged
- 24.5 cm Glass turntable
- Cavity inner surface: stainless steel
- Electronic clock timer
- Rotary dial, Retractable control dials, Push button controls, Start button

### **Features**

- AutoPilot, 7
- Round light
- Open door button

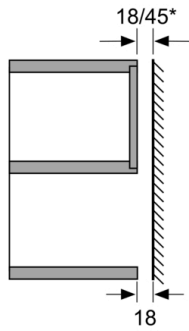
### **Programmes/functions**

- Maximum microwave power level: 800 W and the following options 180 W, 360 W, 600 W, 800 W, 90 W

### **Performance/technical information**

- Cavity volume: 17 l
- 130 cm Cable length
- Total connected load electric: 1.27 KW
- Nominal voltage: 230 V
- Appliance dimension (hxwxh): 364 mm x 453 mm x 320 mm
- Niche dimension (hxwxh): 362 mm - 362 mm x 462 mm - 468 mm x 320 mm
- For installation into a 50 cm wide wall unit (min. 30 cm deep)
- Please refer to the dimensions provided in the installation manual

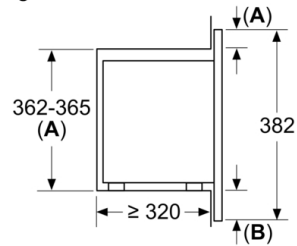
## Series 2, Built-in microwave oven HMT75M551B



\* = value for appliances with grill

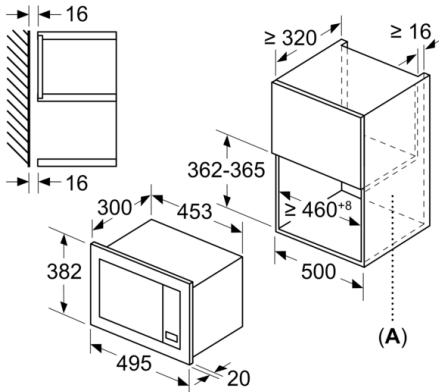
Measurements in mm

measurements in mm  
installation in a wall-hanging cupboard  
Microwave ovens  
Built-in frame  
Overhang



A: Overhang at top:  
Recess 362: 6 mm  
Recess 365: 3 mm  
B: Overhang at bottom: 14 mm

measurements in mm



A: Back panel open