

Built-in oven, 60 x 60 cm, Black HBN730560B



Technical Data

Built-in / Free-standing: Built-in
 Integrated Cleaning system: Pyrolytic
 Dimensions: 595x595x548 mm
 Dimensions of the packed product (HxWxD): 670 x 670 x 690 mm
 Control Panel Material: Glass
 Door Material: Glass
 Net weight: 39.2 kg
 Cooking method: ..Defrost, Hot Air, Conventional heat, Pizza setting,
 Bottom heat, Hot air grilling, Full width variable grill, Half width
 variable grill
 Oven control: electronic
 EAN code: 4242002300153
 Number of cavities (2010/30/EC): 1
 Connection rating: 3300 W
 Fuse protection: 16 A
 Voltage: 220-240 V
 Frequency: 50; 60 Hz
 Plug type: no plug (electrical connection by electrician), fixed
 connection (electrical connection by electrician)
 Included accessories: 1 x insert grid, 2 x combination grid, 1 x
 universal pan

Included accessories

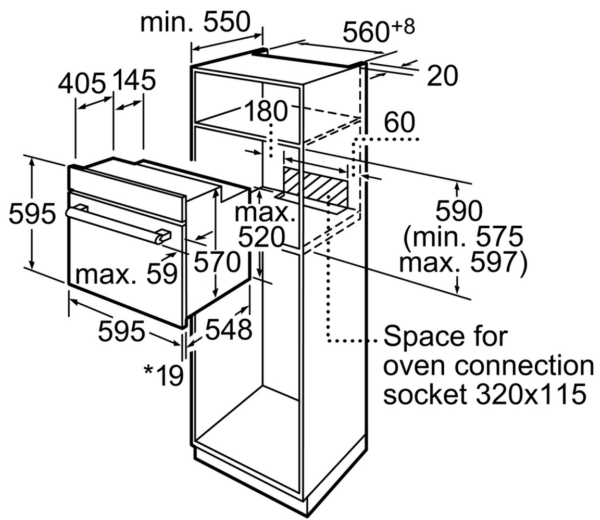
1 x insert grid, 2 x combination grid, 1 x universal pan

Optional accessories

HEZ317000 Pizza pan, enamelled, HEZ324000 Inlaid wire shelf for
 multipurpose pan, HEZ325070 Grill tray, suitable pyrolit. self-clean,
 HEZ327000 Pizza stone, HEZ331070 Enam. baking tray, suit.
 pyrol.cleaning, HEZ332070 Multipurpose pan, suit. pyrolitic clean.,
 HEZ333001 Lid for professional pan, HEZ333070 Profi Pan, suit.
 pyrolitic self-cleaning, HEZ333101 Lid for variable telescopic drawer,
 HEZ333102 Variable telescopic drawer, HEZ334001 Wire shelf,
 HEZ336000 Glass pan, HEZ390800 Enamelled multipurpose dish,
 HEZ6000 Metal roasting dish, 5 l, HMZ21GB Glass roasting dish, 3.5
 l

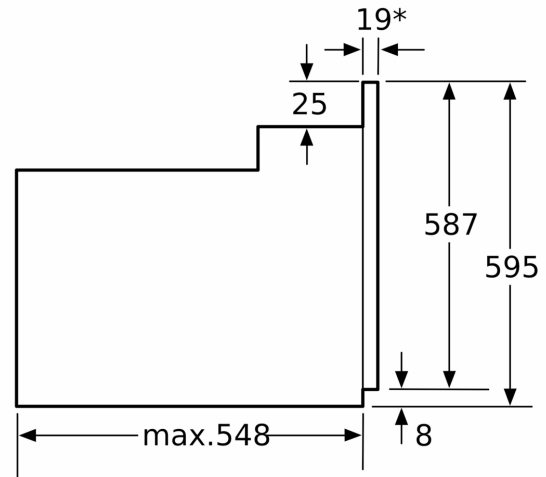


**Built-in oven, 60 x 60 cm, Black
HBN730560B**



*20 mm for metal fascias

Measurements in mm



* 20 mm for metal fascias

Dimensions in mm