

**Serie | 2, Built-in oven, Stainless steel  
HBN331E7B**



**A**



**Included accessories**

- 1 x insert grid
- 1 x combination grid
- 1 x universal pan

**The built-in oven with special hot air function: you achieve perfect baking and roasting results on up to two levels simultaneously.**

- Hotair creates perfect results thanks to optimal distribution of heat on up to 2 levels simultaneously.
- **Flap door:** for especially convenient opening and closing of the oven door.
- **Energy efficiency class A:** Best baking results with low energy consumption.

**Technical Data**

Color / Material Front :	Stainless steel
Construction type :	Built-in
Integrated Cleaning system :	No
Required niche size for installation (HxWxD) :	575-597 x 560-568 x 550
Dimensions of the product (mm) :	595 x 595 x 548
Dimensions of the packed product (HxWxD) (mm) :	670 x 680 x 665
Control Panel Material :	Metal
Door Material :	Glass
Net weight (kg) :	31.783
Usable volume of cavity (l) :	66
Cooking method :	3D hot air, Defrost, Full width variable grill, Hot air grilling
First cavity material :	Enamelled
Temperature control :	mechanical
Number of interior lights :	1
Approval certificates :	CE, KEMA
EAN code :	4242002898964
Number of cavities (2010/30/EC) :	1
Energy efficiency class (2010/30/EC) :	A
Energy consumption per cycle forced air convection (2010/30/EC) :	0.82
Energy efficiency index (2010/30/EC) :	98.8
Connection rating (W) :	2350
Current (A) :	13
Voltage (V) :	220-240
Frequency (Hz) :	50; 60
Plug type :	fixed connection, no plug



## Serie | 2, Built-in oven, Stainless steel HBN331E7B

**The built-in oven with special hot air function: you achieve perfect baking and roasting results on up to two levels simultaneously.**

---

### Key Information

- Drop down door

### Design

- Retractable control dials
- Straight bar handle

### Features

- Electronic clock timer
- 1 interior light
- Control panel lock
- Cavity inner surface: Enamel
- ecoClean® liners NO\_FEATURE
- 4 shelf positions
- Full glass inner door

### Programmes/functions

- multifunction oven:  
4 heating methods: 3D hot air, defrost, Hotair grilling, full width variable grill

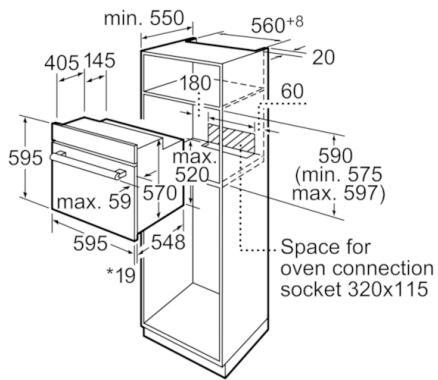
### Performance/technical information

- Integral cooling fan
- Total connected load electric: 2.35 KW
- Appliance dimension (hxwxd): 595 mm x 595 mm x 548 mm
- Niche dimension (hxwxd): 575 mm - 597 mm x 560 mm - 568 mm x 550 mm
- Please refer to the dimensions provided in the installation manual
- Maximum window temperature 50° C
- Energy efficiency rating (acc. EU Nr. 65/2014):  
Energy consumption per cycle in conventional mode: 98.8  
Energy consumption per cycle in fan-forced convection mode: 0.82 kwh  
Number of cavities: 1  
Cavity volume: 66 litre

### Standard accessories

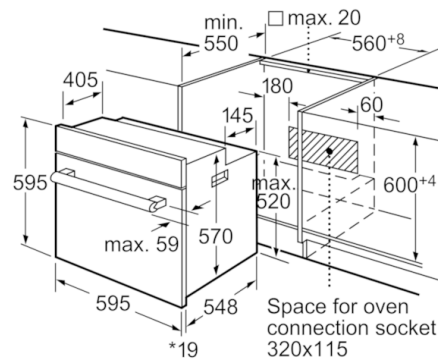
- 1 x insert grid, 1 x combination grid, 1 x universal pan

**Serie | 2, Built-in oven, Stainless steel  
HBN331E7B**



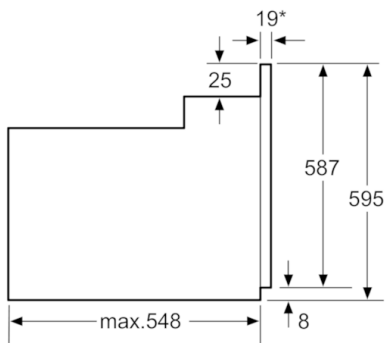
\*20 mm for metal fascias

Measurements in mm



\*20 mm for metal fascias

Measurements in mm



\* 20 mm for metal fascias

Dimensions in mm