

**Series 2, Built-in oven, 60 x 60 cm,
Stainless steel
HBN331E5B**



A

The built-in oven with special hot air function: you achieve perfect baking and roasting results on up to two levels simultaneously.

- **Pop-out controls:** Make the front of the oven easy to clean and give it a sleek look.

Technical Data

Installation type:Built-in
 Integrated Cleaning system: No
 Min. required niche size for installation (HxWxD): 575-597 x 560-568 x 550 mm
 Dimensions: 595 x 595 x 548 mm
 Dimensions of the packed product (HxWxD): 670 x 650 x 680 mm
 Control Panel Material: Metal
 Door Material: Glass
 Net weight: 31.5 kg
 Usable volume of cavity: 66 l
 Cooking method: 3D hot air, Defrost, Hot air grilling, Full width variable grill
 Oven control: mechanical
 Number of interior lights: 1
 EAN code: 4242002899534
 Number of cavities (2010/30/EC): 1
 Energy efficiency rating: A
 Energy consumption per cycle forced air convection (2010/30/EQ): 82 kWh/cycle
 Energy efficiency index (2010/30/EC): 98.8 %
 Connection rating: 2350 W
 Fuse protection: 13 A
 Voltage: 220-240 V
 Frequency: 50; 60 Hz
 Plug type: no plug (electrical connection by electrician), fixed connection
 Included accessories: 1 x combination grid, 1 x universal pan

Included accessories

1 x combination grid, 1 x universal pan

Optional accessories

- HEZ430001 Alu baking tray
- HEZ431001 Enamel baking tray
- HEZ432001 Universal pan
- HEZ434000 Combination grid



Series 2, Built-in oven, 60 x 60 cm, Stainless steel HBN331E5B

The built-in oven with special hot air function: you achieve perfect baking and roasting results on up to two levels simultaneously.

Key Information

- Mechanical control
- Drop down door

Design

- Retractable control dials, Rotary dial
- Straight bar handle

Features

- Electronic clock timer
- 1 interior light
- Round light
- Control panel lock
- Cavity inner surface: Smooth enamelled oven interior
- Smooth enamelled oven interior
- 4 shelf positions
- Full glass inner door

Programmes/functions

- Oven with 4 cooking functions: heating methods: Hotair grilling, defrost, 3D hot air, full width variable grill

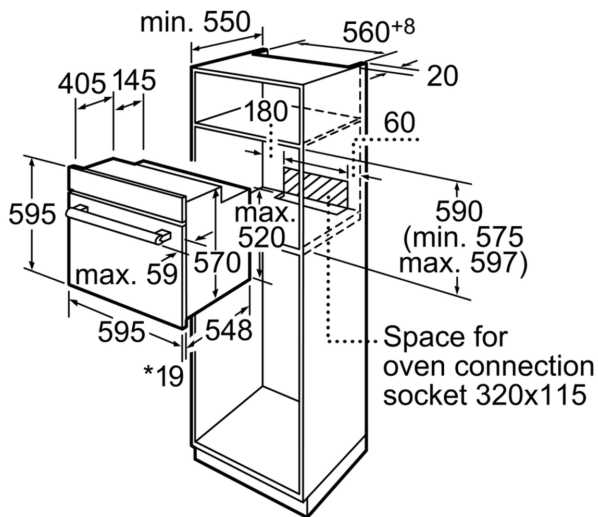
Performance/technical information

- Cavity volume: 66 litre
- Integral cooling fan
- Stainless-steel fan
- Total connected load electric: 2.35 KW
- Appliance dimension (hxwxd): 595 mm x 595 mm x 548 mm
- Niche dimension (hxwxd): 575 mm - 597 mm x 560 mm - 568 mm x 550 mm
- Please refer to the dimensions provided in the installation manual
- Maximum window temperature 50° C
- Energy efficiency rating (acc. EU Nr. 65/2014): A
- Energy consumption per cycle in conventional mode:98.8
- Energy consumption per cycle in fan-forced convection mode:0.82 kwh
- Number of cavities: 1 Cavity volume:66 litre

Standard accessories

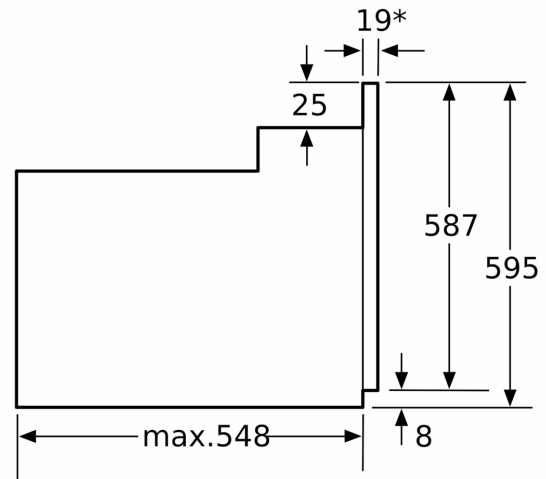
- 1 x combination grid, 1 x universal pan

**Series 2, Built-in oven, 60 x 60 cm,
Stainless steel
HBN331E5B**



*20 mm for metal fascias

Measurements in mm



* 20 mm for metal fascias

Dimensions in mm