

**Series 8, Built-in oven, 60 x 60 cm,
Stainless steel
HBG673BS1B**



Included accessories

2 x combination grid, 1 x universal pan

Optional accessories

HEZ631070 Baking tray, enamelled, HEZ625071 Grill tray, anthracite, HEZ631010 Baking tray, non-stick coated, HEZ633001 Lid for professional pan, enamelled, HEZ632010 Universal pan, non-stick coated, HEZ632070 Multipurpose pan, enamelled, HEZ327000 Pizza stone, HEZ617000 Pizza pan, enamelled, HEZ915003 Glass roasting dish, 5,4 L, HEZG0AS00 Connecting cable 3m, HEZ633070 Professional pan, enamelled, HEZ634000 Baking and roasting grid (standard), HEZ635000 Barbecue-Set, HEZ636000 Glass pan, HEZ638170 1 level telescopic rail, full ext, pyro, HEZ638270 2 level telescopic rails, full ext,pyro, HEZ638370 3 level telescopic rails, full ext,pyro, HEZ660050 Cover Strip, HEZ6BCA0 Cookbook, HEZ9020 Conversion cabinet

**The built-in oven with AutoPilot:
automatically prepares perfect dishes.**

- **4D Hotair:** even heat distribution for perfect results – on any level.
- **AutoPilot 10:** every dish is a perfect success thanks to 10 pre-set automatic programmes.
- **TFT display control:** easy-to-use thanks to the control ring with full text and symbols.
- **Pyrolytic self-cleaning:** Automatically cleans the oven, just wipe out the ash.
- **Drop down door with SoftOpen and SoftClose:** the oven door opens and closes gently and quietly

Technical Data

Built-in / Free-standing: Built-in
 Integrated Cleaning system: Pyrolytic
 Min. required niche size for installation (HxWxD): 585-595 x 560-568 x 550 mm
 Dimensions: 595 x 594 x 548 mm
 Dimensions of the packed product (HxWxD): 670 x 670 x 680 mm
 Control Panel Material: Stainless steel
 Door Material: Glass
 Net weight: 37.9 kg
 Usable volume of cavity: 71 l
 Cooking method: 4D Hotair, Defrost, Full width grill, Hot Air-Eco, Half width grill, Conventional heat, Conventional heat ECO, Pizza setting, Bottom heat, Hot air grilling
 Oven control: electronic
 Number of interior lights: 1
 Length electrical supply cord: 120.0 cm
 EAN code: 4242002881577
 Number of cavities (2010/30/EC): 1
 Energy efficiency rating: A+
 Energy consumption per cycle conventional (2010/30/EC): 0.87 kWh/cycle
 Energy consumption per cycle forced air convection (2010/30/EC): 69 kWh/cycle
 Energy efficiency index (2010/30/EC): 81.2 %
 Connection rating: 2990 W
 Fuse protection: 13 A
 Voltage: 220-240 V
 Frequency: 50; 60 Hz
 Plug type: no plug (electrical connection by electrician)
 Included accessories: 2 x combination grid, 1 x universal pan



Series 8, Built-in oven, 60 x 60 cm, Stainless steel HBG673BS1B

The built-in oven with AutoPilot: automatically prepares perfect dishes.

Design

- 2.5"-TFT colour and text display with direct select buttons
- Bosch control wheel
- Straight bar handle
- Cavity inner surface: enamel anthracite

Features

- Digital temperature display with proposal
- Actual temperature display Heating-up indicator AutoPilot
- Control panel lock
- Automatic safety switch off Residual heat indicator Start button
Door contact switch
- AutoPilot, 10
- Electronic clock timer
- Main on/off switch
- Interior halogen light, Light on/off when oven door opened/closed
- Light on/off when oven door opened/closed
- 5 shelf positions
- Info button

Cleaning

- Pyrolytic self-cleaning function
- Full glass inner door

Programmes/functions

- Oven with 10 cooking functions: heating methods: 4D Hotair, Hotair
Gentle, conventional top and bottom heat, conventional heat
Gentle, Hotair grilling, full width variable grill, half width grill,
pizza function, bottom heat, defrost
- Fast pre-heating function

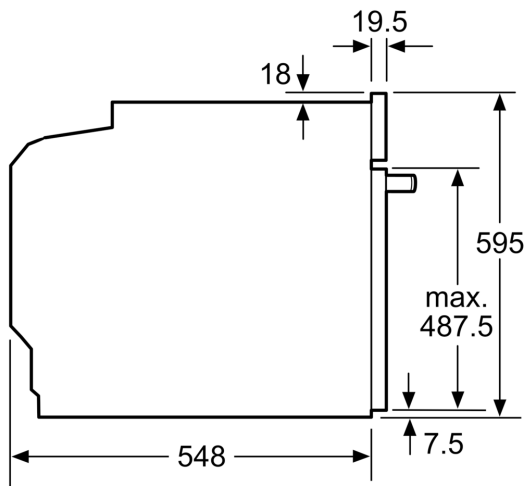
Standard accessories

- 2 x combination grid, 1 x universal pan

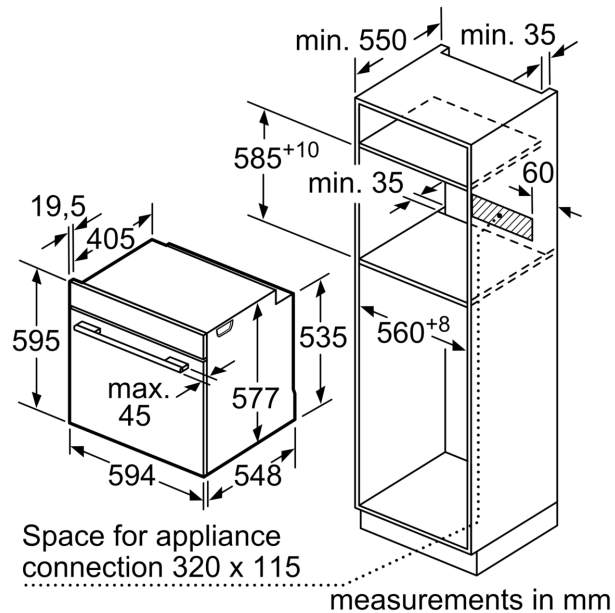
Performance/technical information

- Energy efficiency rating (acc. EU Nr. 65/2014): A+
- Energy consumption per cycle in conventional mode:81.2
- Energy consumption per cycle in fan-forced convection mode:0.69
kwh
- Number of cavities: 1 Cavity volume:71 litre capacity
- Temperature range 30 °C - 300 °C
- Integral cooling fan
- 120 cm Cable length
- Total connected load electric: 2.99 KW
- Nominal voltage: 220 - 240 V
- Appliance dimension (hxwxd): 595 mm x 594 mm x 548 mm
- Niche dimension (hxwxd): 585 mm - 595 mm x 560 mm - 568 mm x
550 mm
- Please refer to the dimensions provided in the installation manual

**Series 8, Built-in oven, 60 x 60 cm,
Stainless steel
HBG673BS1B**



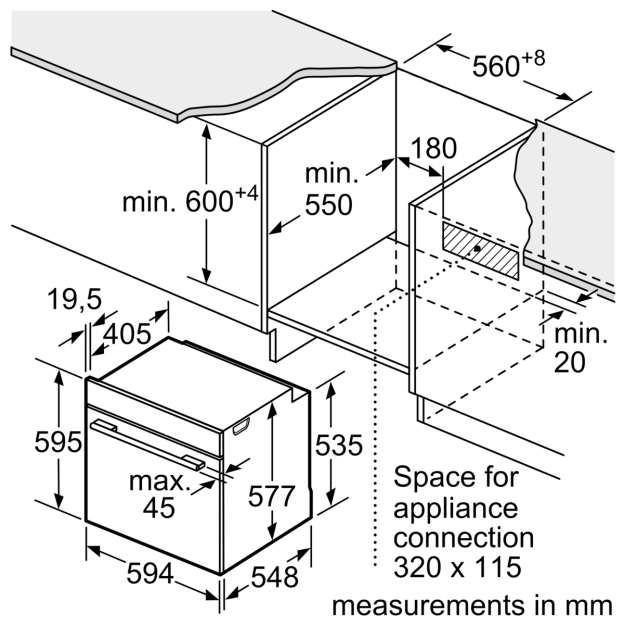
measurements in mm



measurements in mm

If the appliance will be installed underneath a hob, the following worktop thicknesses (including substructure if necessary) must be taken into account.

Hob type	min. worktop thickness	
	fitted	flush
Induction hob	37 mm	38 mm
Full surface Induction hob	47 mm	48 mm
Gas hob	30 mm	38 mm
Electric hob	27 mm	30 mm



measurements in mm