

Series 8, Stainless steel HBG656RS1B


A+


Included accessories

2 x combination grid
1 x universal pan

Optional accessories

HEZ530000 : Half tray
HEZ531010 : Baking tray, non-stick ceramic coated
HEZ631070 : Baking tray, anthracite enamelled
HEZ634000 : Baking and roasting grid (standard)
HEZ636000 : Glass pan
HEZ638300 : 3 level telescopic rails, full ext
HEZ915003 : Glass roasting dish, 5,4 L

- **4D HotAir:** even heat distribution for perfect results – on up to four levels simultaneously
- **BoschAssist:** automatic setting heat, temperature and time for countless dishes.
- **TFT touchscreen control:** easy-to-use thanks to the control ring with full text and images.
- **EcoClean Direct:** almost no cleaning is necessary thanks to a special coating.
- **Drop Down door with SoftOpen and SoftClose:** the oven door opens and closes gently and quietly

Technical Data

Color / Material Front : Stainless steel

Construction type : Built-in

Integrated Cleaning system : Catalytic all sides, Hydrolytic

Min. required niche size for installation (HxWxD) : 585-595 x 560-568 x 550 mm

Dimensions : 595 x 594 x 548 mm

Dimensions of the packed product (HxWxD) : 670 x 680 x 670 mm

Control Panel Material : Stainless steel

Door Material : Glass

Net weight : 36.3 kg

Usable volume of cavity : 71 l

Cooking method : , 4D Hotair, Bottom heat, Conventional heat, Defrost, Full width grill, Half width grill, Hot Air-Eco, Hot air grilling, low temperature cooking, Pizza setting, pre-heating, warming

Oven control : electronic

Number of interior lights : 1

Length of electrical supply cord : 120 cm

EAN code : 4242002807911

Number of cavities (2010/30/EC) : 1

Energy efficiency rating : A+

Energy consumption per cycle conventional (2010/30/EC) : 0.87 kWh/cycle

Energy consumption per cycle forced air convection (2010/30/EC) : 0.69 kWh/cycle

Energy efficiency index (2010/30/EC) : 81.2 %

Connection rating : 3600 W

Fuse protection : 16 A

Voltage : 220-240 V

Frequency : 60; 50 Hz

Plug type : no plug (electrical connection by electrician)

Included accessories : 2 x combination grid, 1 x universal pan



4 242002 807911

Series 8, Stainless steel HBG656RS1B

- 3x 2,5"-TFT colour and graphics display with direct touch function
- Drop down door, SoftClose, SoftOpen
- BoschAssist
- EcoClean Direct : ceiling, back panel, side liners
- PerfectBake sensor PerfectRoast meatprobe

Design

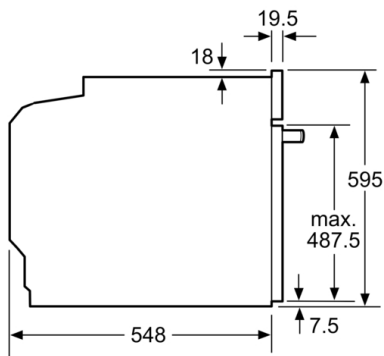
Features

- Electronic clock timer
- Interior halogen light, Light on/off when oven door opened/ closed
- Control panel lock Automatic safety switch off Residual heat indicator Start button Door contact switch

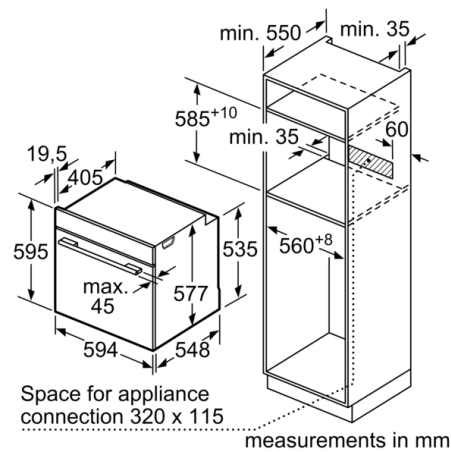
Programmes/functions

- Oven with 13 cooking functions: heating methods: 4D Hotair, Hotair Gentle, conventional top and bottom heat, conventional heat Gentle, Hotair grilling, full width variable grill, half width grill, pizza function, bottom heat, low temperature cooking, defrost, plate warming, keep warm
- Fast pre-heating function
- Cavity volume: 71 litre capacity
- Integral cooling fan
- 120 cm Cable length
- Total connected load electric: 3.6 KW
- Appliance dimension (hxwxh): 595 mm x 594 mm x 548 mm
- Niche dimension (hxwxh): 585 mm - 595 mm x 560 mm - 568 mm x 550 mm
- Please refer to the dimensions provided in the installation manual
- 1 x universal pan, 2 x combination grid

Series 8, Stainless steel HBG656RS1B



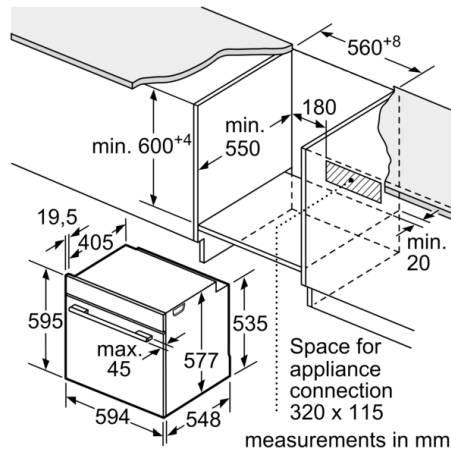
measurements in mm



measurements in mm

If the appliance will be installed underneath a hob, the following worktop thicknesses (including substructure if necessary) must be taken into account.

| Hob type | min. worktop thickness | |
|----------------------------|------------------------|-------|
| | fitted | flush |
| Induction hob | 37 mm | 38 mm |
| Full surface Induction hob | 47 mm | 48 mm |
| Gas hob | 30 mm | 38 mm |
| Electric hob | 27 mm | 30 mm |



measurements in mm