

**Serie | 8, Built-in oven, 60 x 60 cm,
Black
HBG634BB1B**



A+



- **4D HotAir:** even heat distribution for perfect results – on up to four levels simultaneously
- **TFT display control:** easy-to-use thanks to the control ring with full text and symbols.
- Fast pre heating

Technical Data

Color / Material Front :	Black
Construction type :	Built-in
Required niche size for installation (HxWxD) :	585-595 x 560-568 x 550
Dimensions :	595 x 594 x 548
Dimensions of the packed product (HxWxD) (mm) :	670 x 680 x 670
Control Panel Material :	Glass
Door Material :	Glass
Net weight (kg) :	35.134
Usable volume of cavity (l) :	71
Cooking method :	Bottom heat, Conventional heat, Defrost, Full width grill, Half width grill, Hot Air-Eco, Hot air grilling, low temperature cooking, Pizza setting, pre-heating, warming
Temperature control :	electronic
Number of interior lights :	1
Approval certificates :	CE, VDE
Length of electrical supply cord (cm) :	120
EAN code :	4242002835310
Number of cavities (2010/30/EC) :	1
Energy efficiency rating :	A+
Energy consumption per cycle conventional (2010/30/EC) :	0.87
Energy consumption per cycle forced air convection (2010/30/EC) :	0.69
Energy efficiency index (2010/30/EC) :	81.2
Connection rating (W) :	3600
Current (A) :	16
Voltage (V) :	220-240
Frequency (Hz) :	60; 50
Plug type :	no plug

Included accessories

- 1 x combination grid
- 1 x universal pan

Optional accessories

- HEZ327000 : Pizza stone
- HEZ530000 : Half tray
- HEZ531010 : Baking tray, non-stick ceramic coated
- HEZ625071 : Grill tray, anthracite enamelled
- HEZ631070 : Baking tray, anthracite enamelled
- HEZ634000 : Baking and roasting grid (standard)
- HEZ636000 : Glass pan
- HEZ638100 : 1 level telescopic shelf rail, full ext
- HEZ638300 : 3 level telescopic rails, full ext
- HEZ915003 : Glass roasting dish, 5,4 L



4 242002 835310

Serie | 8, Built-in oven, 60 x 60 cm, Black HBG634BB1B

Design

- 2.5"-TFT colour and text display with direct select buttons
- Drop down door, SoftClose, SoftOpen
- Bosch control wheel
- Straight bar handle
- 5 shelf positions

Features

- Digital temperature display with proposal
Actual temperature display
Heating-up indicator
- Control panel lock
Automatic safety switch off
Residual heat indicator
Start button
Door contact switch
- Electronic clock timer
- Interior halogen light, Light on/off when oven door opened/
closed

Cleaning

- EcoClean Direct : back panel
- Full glass inner door

Programmes/functions

- Oven with 13 cooking functions: heating methods: 4D Hotair, Hotair Gentle, conventional top and bottom heat, conventional heat Gentle, Hotair grilling, full width variable grill, half width grill, pizza function, bottom heat, low temperature cooking, defrost, plate warming, keep warm
- Fast pre-heating function

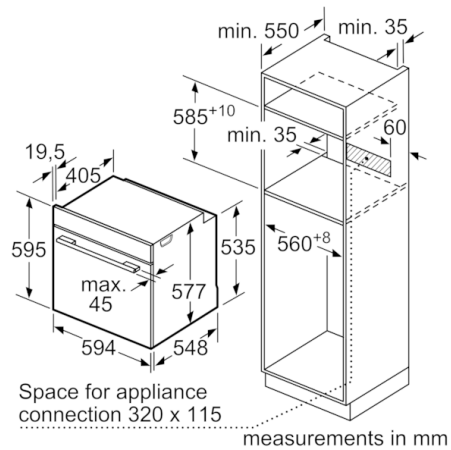
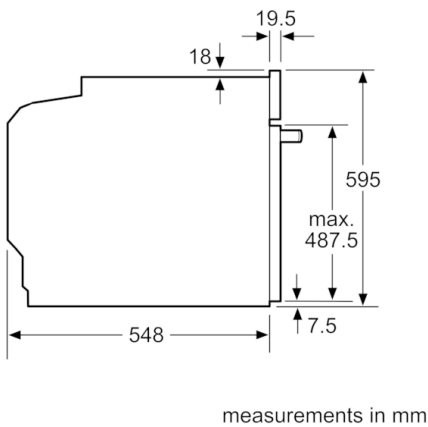
Accessories

- 1 x combination grid, 1 x universal pan

Performance/technical information

- Energy efficiency rating (acc. EU Nr. 65/2014): A+
Energy consumption per cycle in conventional mode: 0.87 kWh
Energy consumption per cycle in fan-forced convection mode: 0.69 kWh
Number of cavities: Main cavity
Heat source: electrical
Cavity volume: 71 litre capacity
- Temperature range 30 °C - 275 °C
- Integral cooling fan
- 120 cm Cable length
- Total connected load electric: 3.6 KW
- Nominal voltage: 220 - 240 V
- Appliance dimension (hxwxh): 595 mm x 594 mm x 548 mm
- Niche dimension (hxwxh): 585 mm - 595 mm x 560 mm - 568 mm x 550 mm
- Please refer to the dimensions provided in the installation manual

**Serie | 8, Built-in oven, 60 x 60 cm, Black
HBG634BB1B**



If the appliance will be installed underneath a hob, the following worktop thicknesses (including substructure if necessary) must be taken into account.

Hob type	min. worktop thickness	
	fitted	flush
Induction hob	37 mm	38 mm
Full surface Induction hob	47 mm	48 mm
Gas hob	30 mm	38 mm
Electric hob	27 mm	30 mm

