

**Series 8, Built-in oven, 60 x 60 cm,
Stainless steel
HBG633BS1B**



- **4D Hotair:** even heat distribution for perfect results – on any level.
- **TFT display control:** easy-to-use thanks to the control ring with full text and symbols.
- **EcoClean Direct:** less cleaning effort thanks to a special coating of the rear wall that automatically absorbs grime.
- **Drop down door with SoftOpen and SoftClose:** the oven door opens and closes gently and quietly

Technical Data

Built-in / Free-standing: Built-in
 Integrated Cleaning system: ..EcoClean Direct programme, Hydrolytic
 Required niche size for installation (HxWxD): 585-595 x 560-568 x 550 mm
 Dimensions: 595x594x548 mm
 Dimensions of the packed product (HxWxD): 670 x 670 x 680 mm
 Control Panel Material: Stainless steel
 Door Material: Glass
 Net weight: 35.0 kg
 Usable volume of cavity: 71 l
 Cooking method: 4D Hotair, Defrost, Full width grill, Hot Air-Eco, Half width grill, Conventional heat, Conventional heat ECO, Pizza setting, Bottom heat, Hot air grilling
 Oven control: electronic
 Length electrical supply cord: 120.0 cm
 EAN code: 4242002881560
 Number of cavities (2010/30/EC): 1
 Energy efficiency rating: A+
 Energy consumption per cycle conventional (2010/30/EC): 0.87 kWh/cycle
 Energy consumption per cycle forced air convection (2010/30/EC): 0.69 kWh/cycle
 Energy efficiency index (2010/30/EC): 81.2 %
 Connection rating: 2990 W
 Fuse protection: 13 A
 Voltage: 220-240 V
 Frequency: 50; 60 Hz
 Plug type: no plug (electrical connection by electrician)
 Included accessories: 2 x combination grid, 1 x universal pan

Included accessories

2 x combination grid, 1 x universal pan

Optional accessories

HEZ327000 Pizza stone, HEZ530000 Half tray, HEZ531010 Baking tray, non-stick ceramic coated, HEZ532010 Universal pan, non-stick ceramic coated, HEZ617000 Pizza pan, enamelled, HEZ625071 Grill tray, anthracite, HEZ631070 Baking tray, enamelled, HEZ632070 Multipurpose pan, enamelled, HEZ633001 Lid for professional pan, enamelled, HEZ633070 Professional pan with grid, enamelled, HEZ634000 Baking and roasting grid, HEZ635000 Barbecue-Set, HEZ636000 Glass pan, HEZ638100 1 level telescopic shelf rail, full ext, HEZ638200 2 level telescopic shelf rails, full ext, HEZ638300 3 level telescopic rails, full ext, HEZ660050 Cover Strip, HEZ664000 Baking and roasting grid, steam, HEZ915003 Glass roasting dish, 5,4 L



Series 8, Built-in oven, 60 x 60 cm, Stainless steel HBG633BS1B

- HBG633BS1B
- Oven

Design

- 2.5"-TFT colour and text display with direct select buttons
- Bosch control wheel
- Straight bar handle
- Drop down door, SoftClose, SoftOpen
- 5 shelf positions

Features

- Control panel lock
- Automatic safety switch off Residual heat indicator Start button
Door contact switch
- Digital temperature display with proposal
- Actual temperature display Heating-up indicator
- Electronic clock timer
- Interior halogen light, Light on/off when oven door opened/closed
- Integral cooling fan

Cleaning

- Full glass inner door

Programmes/functions

- Fast pre-heating function

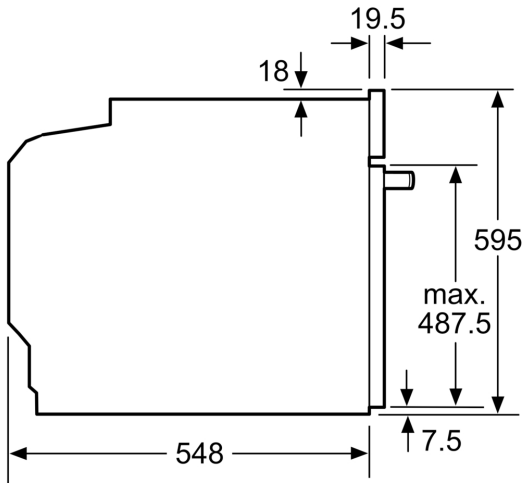
Accessories

- Available as an additional accessory
- 2 x combination grid, 1 x universal pan

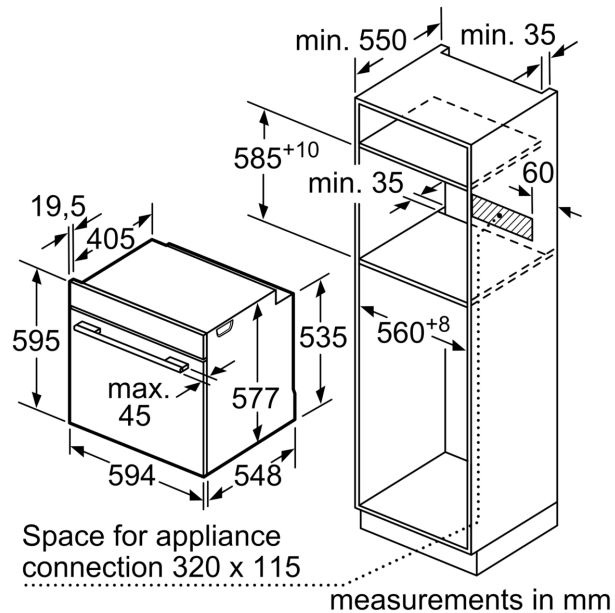
Performance/technical information

- Energy efficiency rating (acc. EU Nr. 65/2014): A+
- Energy consumption per cycle in conventional mode:0.87 kWh
- Energy consumption per cycle in fan-forced convection mode:0.69 kWh
- Number of cavities: Main cavity Heat source: electrical Cavity volume:71 litre capacity
- Temperature range 30 °C - 275 °C
- 120 cm Cable length
- Total connected load electric: 2.99 KW
- Nominal voltage: 220 - 240 V
- Appliance dimension (hxwxd): 595 mm x 594 mm x 548 mm
- Niche dimension (hxwxd): 585 mm - 595 mm x 560 mm - 568 mm x 550 mm
- Please refer to the dimensions provided in the installation manual

**Series 8, Built-in oven, 60 x 60 cm,
Stainless steel
HBG633BS1B**



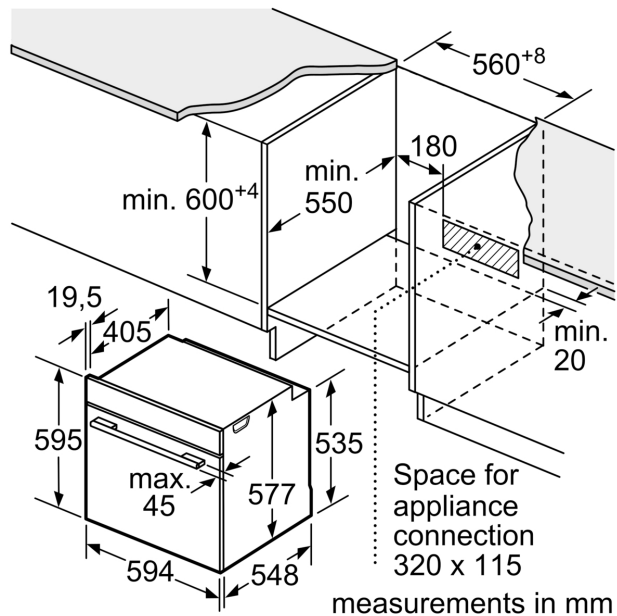
measurements in mm



measurements in mm

If the appliance will be installed underneath a hob, the following worktop thicknesses (including substructure if necessary) must be taken into account.

Hob type	min. worktop thickness	
	fitted	flush
Induction hob	37 mm	38 mm
Full surface Induction hob	47 mm	48 mm
Gas hob	30 mm	38 mm
Electric hob	27 mm	30 mm



measurements in mm